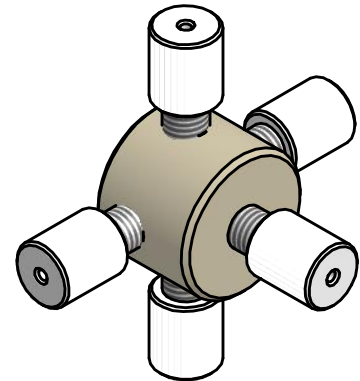


Dimension in mm [Inch]



Tubing OD	Bore	PEEK Part#	CTFE Part#
1/16"	Ø 0.75 [Ø 0.03"]	C5M1PK	C5M1KF
1/8"	Ø 1.50 [Ø 0.06"]	C5M2PK	C5M2KF

THIS DOCUMENT AND THE INFORMATION WHICH IT CONTAINS SHALL NOT BE USED, EXPLOITED OR SOLD, AND SHALL NOT BE REVEALED OR DISCLOSED TO OTHERS WITHOUT THE EXPRESS WRITTEN PERMISSION OF VICI. THIS DOCUMENT SHALL REMAIN THE PROPERTY OF VICI AND SHALL BE RETURNED UPON DEMAND.

Material MATERIAL

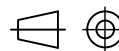
Dimensionen DIMENSIONS

Aenderungen: MODIFICATIONS:

Projektion PROJECTION

Allgemein Toleranzen GENERAL TOLERANCES

PART NO.:



SN EN 22768-1/ ISO 2768

# Low pressure manifolds 5 ports with 1/4-28 fittings

General dimensions

Masstab SCALE

1:1

Gezeichnet DRAWN

19.01.2009

F.P.

Geprüft / Freigabe CHECKED/ RELEASE

19.01.2009

FCo

CAD Nr. CAD NO.

506345.idw

Unterverz.: SUB DIREC.:

KUNDE

Zeichnungs Nr. / DRAWING NO.

4 - GE - 5063.45

VICI®

VICI AG International, CH-6214 Schenkon