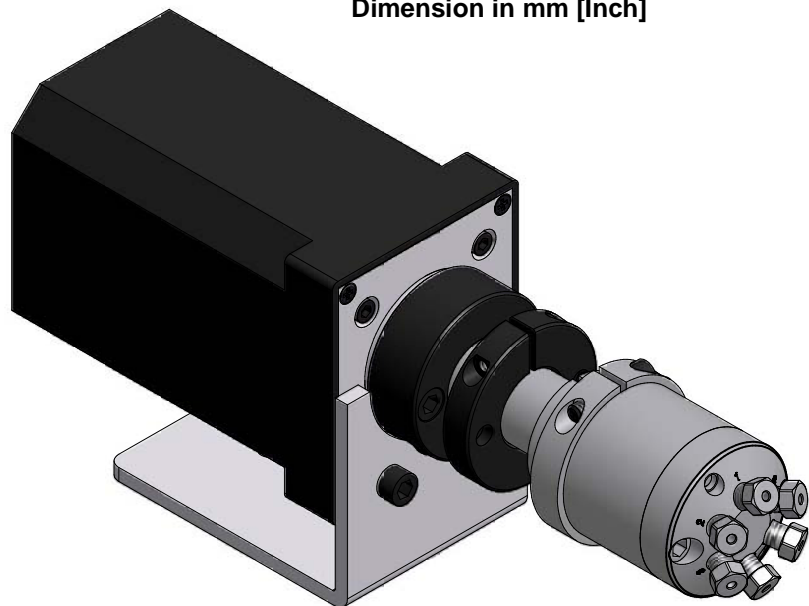


Dimension in mm [Inch]

Cheminert valve	X		Y	
	mm	Inch	mm	Inch
C2-* 4 or 6 port	Ø31.7	Ø1.25"	33	1.3"
C2H-* 8 or 10 port	Ø34.9	Ø1.375"	35.1	1.38"
C72* 4 or 6 port	Ø31.7	Ø1.25"	38.1	1.5"
C72* 8 or 10 port	Ø34.9	Ø1.375"	40.2	1.58"



THIS DOCUMENT AND THE INFORMATION WHICH IT CONTAINS SHALL NOT BE USED, EXPLOITED OR SOLD, AND SHALL NOT BE REVEALED OR DISCLOSED TO OTHERS WITHOUT THE EXPRESS WRITTEN PERMISSION OF VICI. THIS DOCUMENT SHALL REMAIN THE PROPERTY OF VICI AND SHALL BE RETURNED UPON DEMAND.

Material: MATERIAL
Dimensionen: DIMENSIONS

Änderungen: a) 23.08.05 FP #461, Redrawn in Inventor
MODIFICATIONS: b) 12.11.09 FP #602, Added part number list

Projection: PROJECTION
Allgemein Toleranzen: GENERAL TOLERANCES

SN EN 22768-1/ISO 2768

Gezeichnet: DRAWN: 03.11.1997 F.P.
Geprüft / Freigabe: CHECKED/RELEASE: 12.11.2009 FCo
CAD Nr.: CAD NO.: 506007.idw

Unterverz.: SUB DIR.: KUNDE
Zeichnungs Nr. / DRAWING NO.: 3 - GE - 5060.07 b

Micro electric actuator
2- pos.
with standoff. General dimensions

VICI® VICI AG International, CH-6214 Schenkon