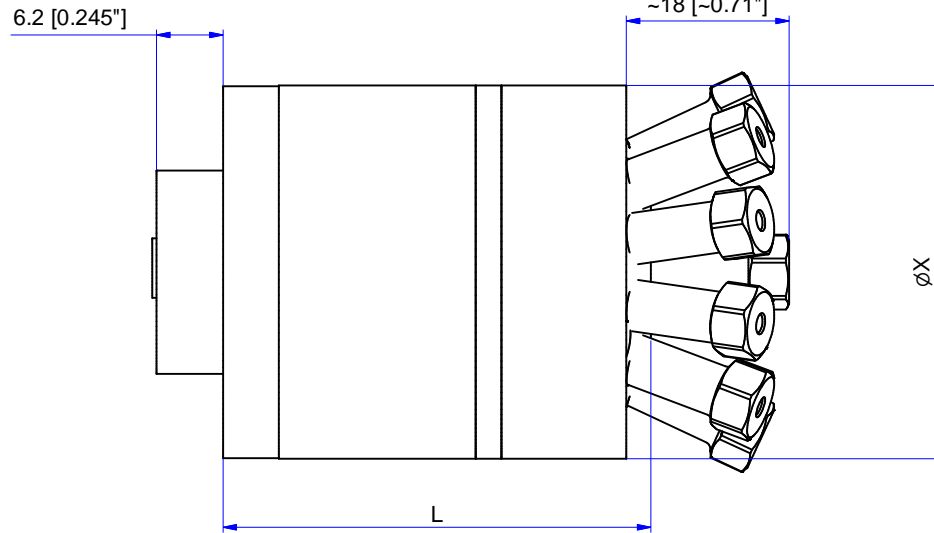
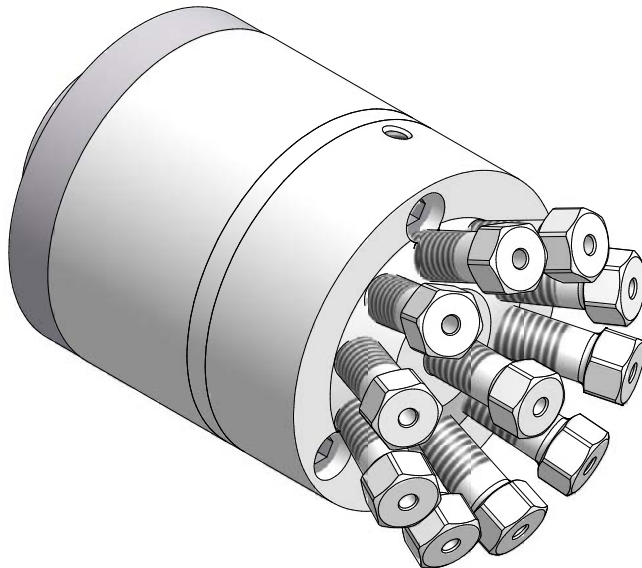


Dimension in mm [Inch]



mpos. 10 port C25Z valve shown



Serie	Description	Fitting	X	L
C25Z mpos.	4, 6, 8 and 10 position	1/16" ZDV	Ø34.93 mm Ø1.375"	40.0 mm 1.58"
C25Z mpos.	12 position	1/16" ZDV	Ø44.2 mm Ø1.74"	48.0 mm 1.89"
C25Z mpos.	14 position	1/16" ZDV	Ø41.28 mm Ø1.625"	37.85 mm 1.49"
C25 mpos.	4 and 6 position	1/4"-28	Ø34.93 mm Ø1.375"	40.3 mm 1.585"
C25 mpos.	8 and 10 position	1/4"-28	Ø44.2 mm Ø1.74"	43.0 mm 1.69"

THIS DOCUMENT AND THE INFORMATION WHICH IT CONTAINS SHALL NOT BE USED, EXPLOITED OR SOLD, AND SHALL NOT BE REVEALED OR DISCLOSED TO OTHERS WITHOUT THE EXPRESS WRITTEN PERMISSION OF VICI. THIS DOCUMENT SHALL REMAIN THE PROPERTY OF VICI AND SHALL BE RETURNED UPON DEMAND.

Aenderungen: a) 09.05.12 FP #686, changed 14 pos. OD, add. 12 pos.
MODIFICATIONS:

PART NO.:

Material MATERIAL Dimensionen DIMENSIONS

Projektion PROJECTION Allgemein Toleranzen GENERAL TOLERANCES

SN EN 22768-1/ISO 2768

Masstab SCALE Gezeichnet DRAWN 24.06.2005 F.P.
2:1 Geprüft / Freigabe CHECKED/RELEASE 09.05.2012 FCo
CAD Nr. CAD NO. 506050.idw

General dimensions

Unterverz.: SUB DIREC.: KUNDE

Zeichnungs Nr. / DRAWING NO.

VICI® VICI AG International, CH-6214 Schenkon **3 - GE - 5060.50 a**