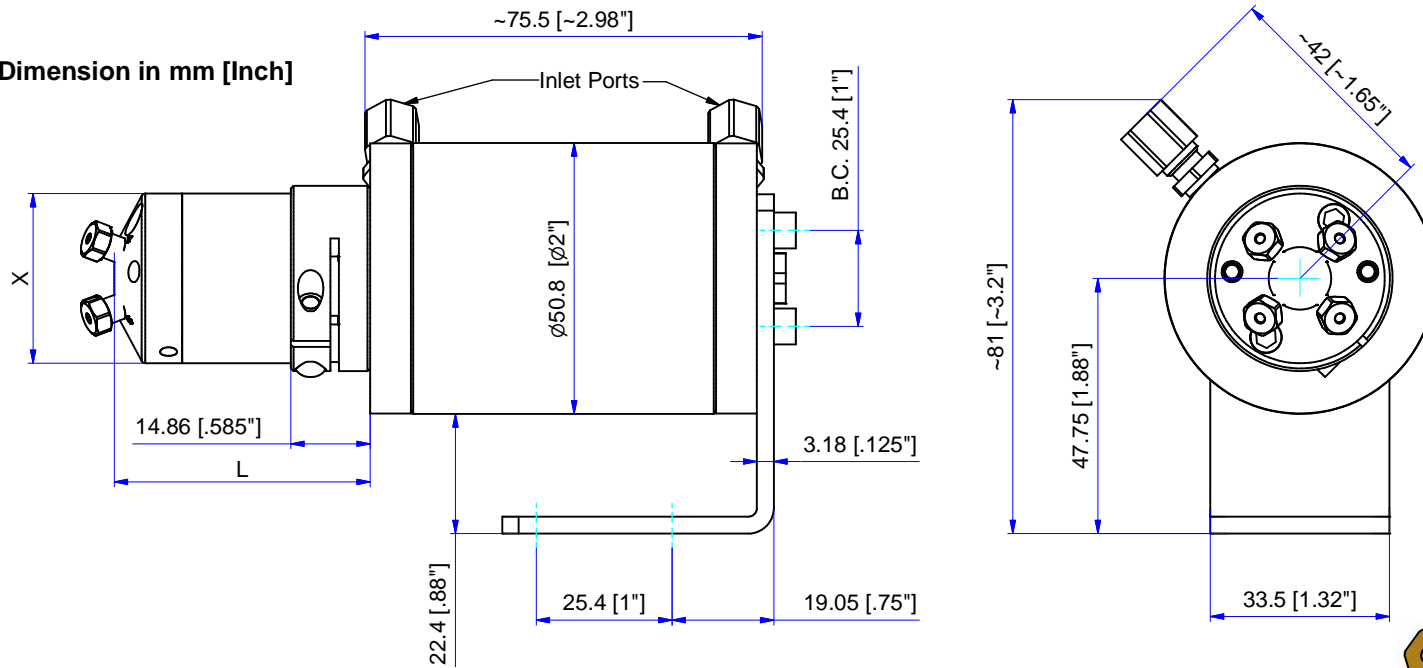
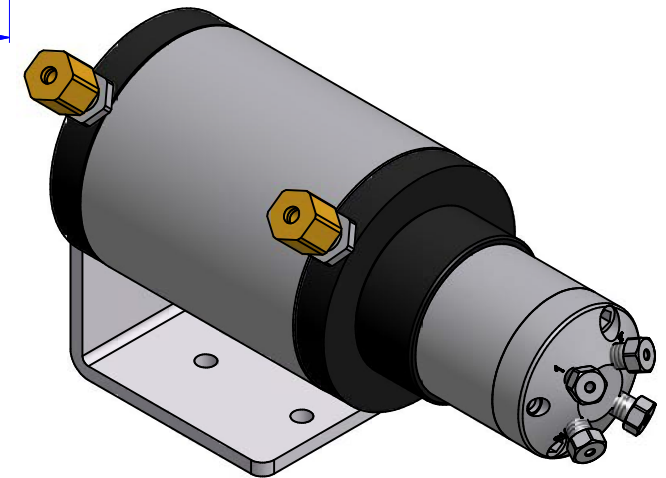


Dimension in mm [Inch]



2 pos. 4 port C2 valve shown



Serie	Description	Fitting	X	L
C2 2 pos.	4 and 6 port	1/16" ZDV	Ø31.75 mm Ø1.25"	47.9 mm 1.885"
C2 2 pos.	8 and 10 port	1/16" ZDV	Ø34.93 mm Ø1.375"	50.0 mm 1.969"
C72* 2 pos.	4 and 6 port	1/16" ZDV	Ø31.75 mm Ø1.25"	52.9 mm 2.083"
C72* 2 pos.	8 and 10 port	1/16" ZDV	Ø34.93 mm Ø1.375"	55.1 mm 2.170"
C4 2 pos.	4 port, int. volume	1/16" ZDV	Ø31.75 mm Ø1.25"	47.9 mm 1.885"

THIS DOCUMENT AND THE INFORMATION WHICH IT CONTAINS SHALL NOT BE USED, EXPLOITED OR SOLD, AND SHALL NOT BE REVEALED OR DISCLOSED TO OTHERS WITHOUT THE EXPRESS WRITTEN PERMISSION OF VICI. THIS DOCUMENT SHALL REMAIN THE PROPERTY OF VICI AND SHALL BE RETURNED UPON DEMAND.

Aenderungen: a) 24.01.11 FP #647, changed table
MODIFICATIONS:

PART NO.:

Material MATERIAL	Dimensionen DIMENSIONS
Projektion PROJECTION	Allgemein Toleranzen GENERAL TOLERANCES
SN EN 22768-1/ISO 2768	

**Air actuated with
2-pos. cheminert valve**

General dimensions

VICI[®] VICI AG International, CH-6214 Schenkon

Masstab SCALE	Gezeichnet DRAWN	29.06.2006	F.P.
1:1	Gepflicht / Freigabe CHECKED/RELEASE	24.01.2011	FCo
CAD Nr. CAD NO.	506087.idw		

Unterverz.:
SUB DIRÉC.: KUNDE

Zeichnungs Nr. / DRAWING NO.

3 - GE - 5060.87 a