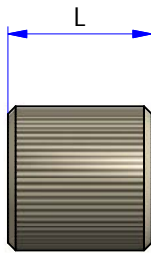
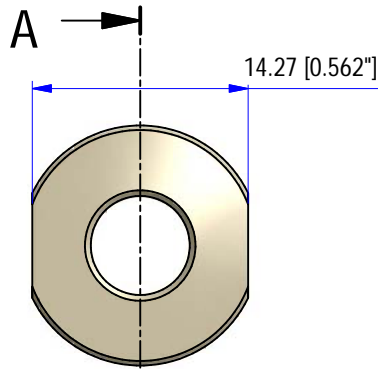


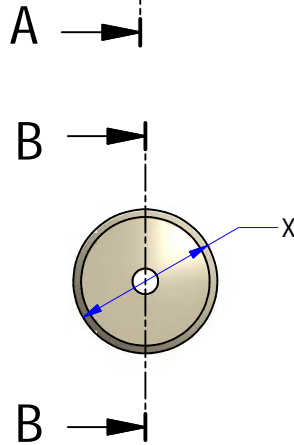
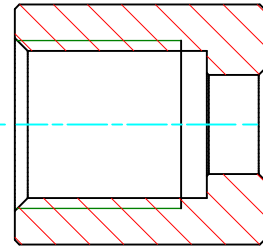
SHOWN EN4PK



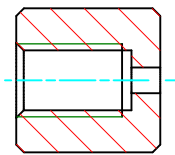
SHOWN EN1FPK



A-A



B-B



Part#	Description	L		X	
		mm	Inch	mm	Inch
C-EN.5FPK	Nut, knurled, ZDV: 1/32"	7.62	0.300"	Ø6.35	Ø0.250"
C-EN.5FPKB	Nut, knurled, black, ZDV: 1/32"	7.62	0.300"	Ø6.35	Ø0.250"
EN1FPK	Nut, knurled, ZDV: 1/16"	9.53	0.375"	Ø9.53	Ø0.375"
EN1FPKB	Nut, knurled, black, ZDV: 1/16"	9.53	0.375"	Ø9.53	Ø0.375"
EN4PK	Nut, ZDV: 1/4"	16.51	0.650"	Ø15.88	Ø0.625"
EN6FPK	Nut, ZDV: 3/8"	15.88	0.625"	Ø22.2	Ø0.875"
EN6FKF	Nut, ZDV: 3/8"	15.88	0.625"	Ø22.2	Ø0.875"

THIS DOCUMENT AND THE INFORMATION WHICH IT CONTAINS SHALL NOT BE USED, EXPLOITED OR SOLD, AND SHALL NOT BE REVEALED OR DISCLOSED TO OTHERS WITHOUT THE EXPRESS WRITTEN PERMISSION OF VICI. THIS DOCUMENT SHALL REMAIN THE PROPERTY OF VICI AND SHALL BE RETURNED UPON DEMAND.

Material
MATERIAL

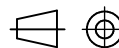
Dimensionen
DIMENSIONS

Aenderungen:
MODIFICATIONS:

Projektion
PROJECTION

Allgemein Toleranzen
GENERAL TOLERANCES

PART NO.:



SN EN 22768-1/ ISO 2768

External nuts Polymeric

General dimensions

Masstab
SCALE

Gezeichnet
DRAWN

20.12.2005

F.P.

2:1

Geprüft / Freigabe
CHECKED/ RELEASE

20.12.2005

FCo

CAD Nr.
CAD NO.

506064.idw

Unterverz.:
SUB DIREC.:

KUNDE

Zeichnungs Nr. / DRAWING NO.



VICI AG International, CH-6214 Schenkon

4 - GE - 5060.64