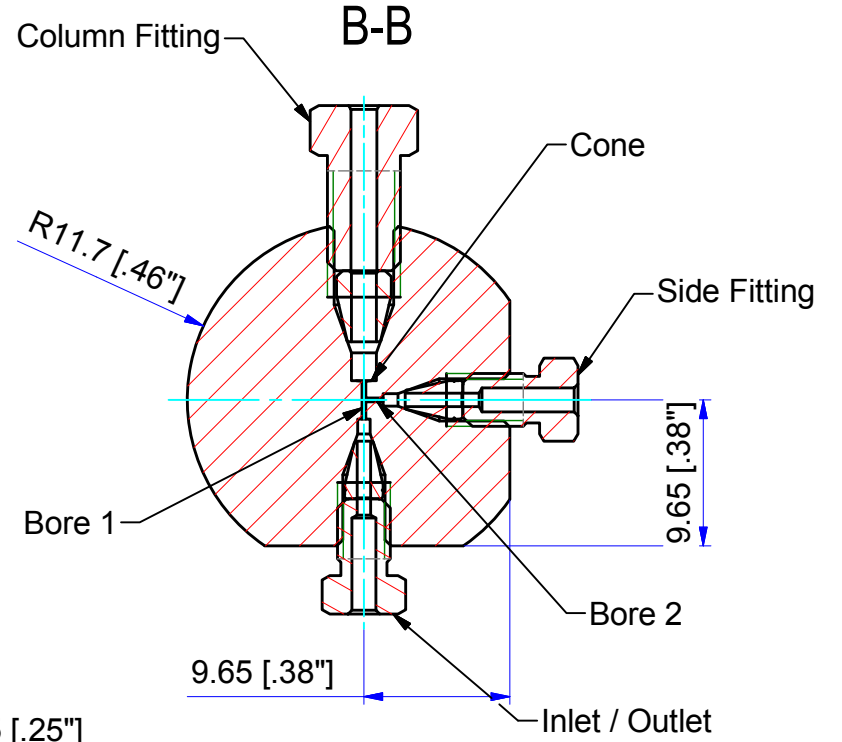
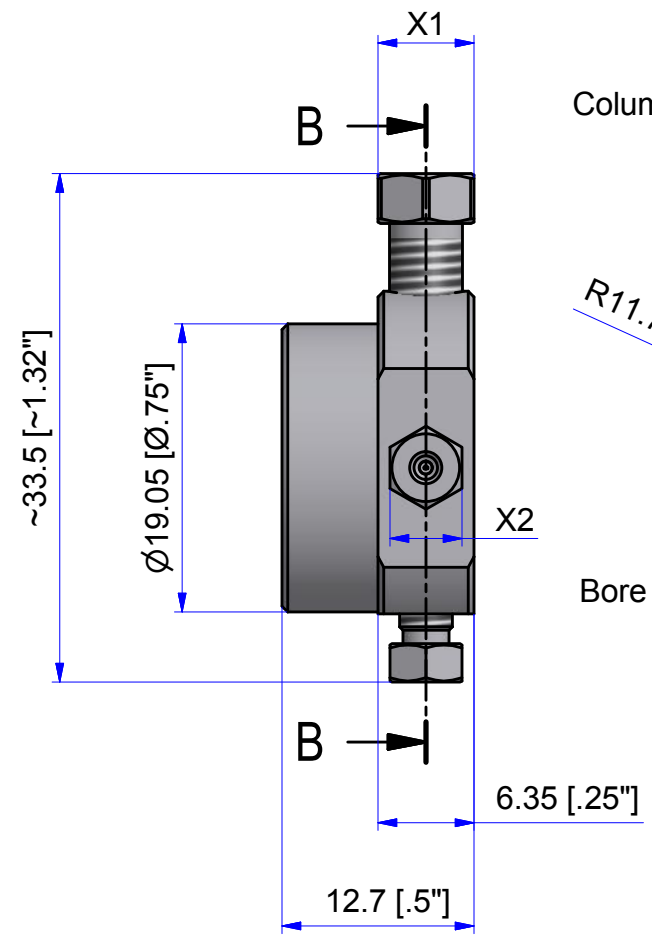


**SHOWN TCEF111**



**SHOWN TCEF1.5.5C**

THIS DOCUMENT AND THE INFORMATION WHICH IT CONTAINS SHALL NOT BE USED, EXPLOITED OR SOLD, AND SHALL NOT BE REVEALED OR DISCLOSED TO OTHERS WITHOUT THE EXPRESS WRITTEN PERMISSION OF VICI. THIS DOCUMENT SHALL REMAIN THE PROPERTY OF VICI AND SHALL BE RETURNED UPON DEMAND.

Aenderungen: MODIFICATIONS: PART NO.: TCEF1\*  
 Projektion PROJECTION: Allgemein Toleranzen GENERAL TOLERANCES: SN EN 22768-1/ ISO 2768

Part#	Description	Bore1 mm [Inch]	Bore2 mm [Inch]	Cone mm [Inch]	X1	X2
TCEF1.5.5C	Tee column end fitting 1/16" x 1/32" x 1/32"	Ø0.25 [Ø.010"]	Ø0.25 [Ø.010"]	Ø1.0 [Ø.039"]	1/4" Hex	3/16" Hex
TCEF1.5.5T	Tee column end fitting 1/16" x 1/32" x 1/32"	Ø0.89 [Ø.035"]	Ø0.25 [Ø.010"]	Ø1.0 [Ø.039"]	1/4" Hex	3/16" Hex
TCEF111	Tee column end fitting 1/16" x 1/16" x 1/16"	Ø0.25 [Ø.010"]	Ø0.25 [Ø.010"]	Ø1.0 [Ø.039"]	1/4" Hex	1/4" Hex

**Post-Column Reaction Tee Fittings**  
 Column OD: 1/16". General dimensions

Masstab SCALE: 2:1	Gezeichnet DRAWN: 30.04.2012	F.P.
	Geprüft / Freigabe CHECKED/ RELEASE: 01.05.2012	FCo
	CAD Nr. CAD NO.: 506392.idw	

Unterverz.: SUB DIREC.: KUNDE  
 Zeichnungs Nr. / DRAWING NO.: **3 - GE - 5063.92**

**VICI** VICI AG International, CH-6214 Schenkon