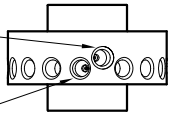
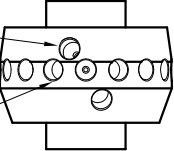
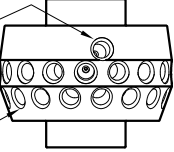
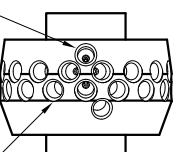
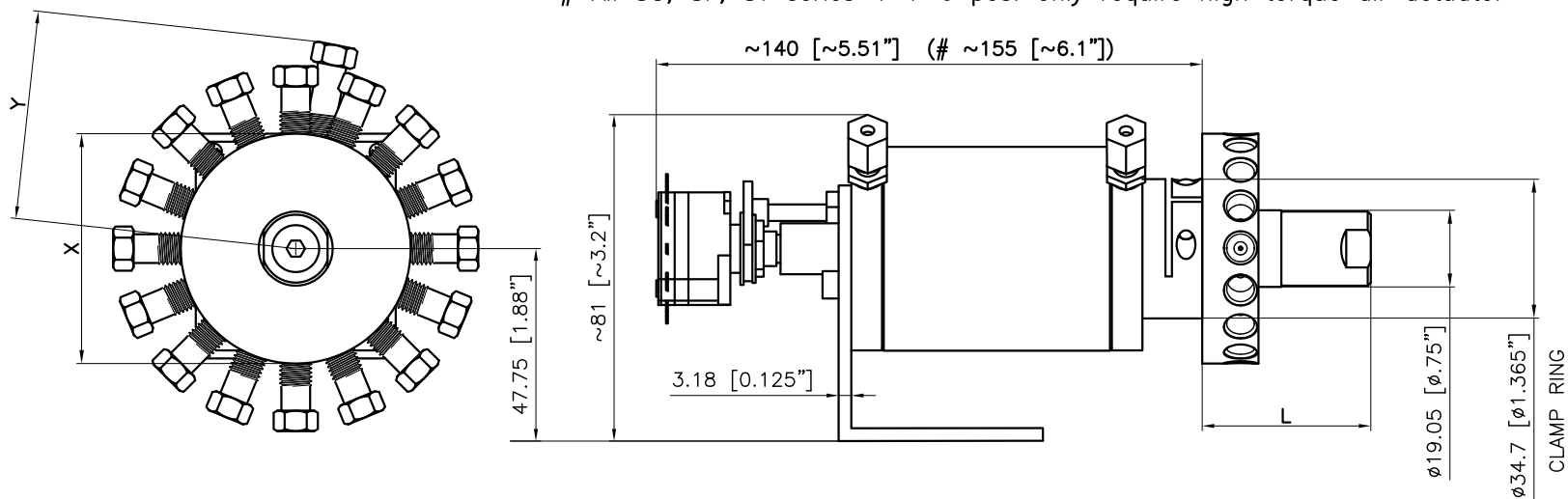



	Valve Type	Connections	No. of Pos.	X		Y		L	
				mm	Inch	mm	Inch	mm	Inch
ONE OFFSET PORT  ONE ROW OF PORTS	CSD*MW	1/16"	4, 6, 8, 10, 12, 16	ø38.1	ø1.5	~34.5	~1.36	41.3	1.625
	SD*MW	1/8"	4, 6, 8, 10, 12	ø50.8	ø2	~40.5	~1.60	41.9	1.65
	SD*MW	1/8"	16	ø57.15	ø2.25	~51.0	~2.00	41.9	1.65
TWO OFFSET PORTS  ONE ROW OF PORTS	CSC*MW	1/16"	4, 6, 8, 10, 12, 16	ø41.3	ø1.625	~36.0	~1.42	51.4	2.025
	SC*MW	1/8"	4, 6, 8, 10	ø50.8	ø2	~38.5	~1.52	52.1	2.05
	SC*MW	1/8"	12, 16	ø57.15	ø2.25	~43.0	~1.69	52.1	2.05
ONE OFFSET PORT  TWO ROWS OF PORTS	CSF*MW	1/16"	4, 6, 8, 10, 12, 16	ø41.3	ø1.625	~35.0	~1.38	51.4	2.025
	SF*MW	1/8"	4, 6, 8, 10	ø50.8	ø2	~39.5	~1.56	52.1	2.05
	SF*MW	1/8"	12, 16	ø57.15	ø2.25	~43.0	~1.69	52.1	2.05
TWO OFFSET PORTS  TWO ROWS OF PORTS	CST*MW	1/16"	4, 6, 8, 10, 12, 16	ø41.3	ø1.625	~35.0	~1.38	51.4	2.025
	ST*MW	1/8"	4, 6, 8	ø50.8	ø2	~40.0	~1.58	52.1	2.05
	ST*MW	1/8"	10	ø57.15	ø2.25	~43.5	~1.71	52.1	2.05
	ST*MW	1/8"	12, 16	ø61	ø2.4	~51.0	~2.00	57.2	2.25

All SC, SF, ST series 4 + 6 pos. only require high torque air actuator



<small>THIS DOCUMENT AND THE INFORMATION WHICH IT CONTAINS SHALL NOT BE USED, REPRODUCED OR SOLD, AND SHALL NOT BE REPRODUCED OR RELEASED TO OTHERS WITHOUT THE EXPRESS WRITTEN PERMISSION OF VICI. THIS DOCUMENT SHALL REMAIN THE PROPERTY OF VICI AND SHALL BE RETURNED UPON DEMAND.</small>		<small>Material</small> <small>PROJECTION</small>	<small>Dimension</small> <small>PROJECTION</small>
<small>Änderungen:</small> <small>ÄNDERUNGEN:</small>	<small>a) 07.09.09 FP #592, chg. table data Y</small>	<small>Gezeichnet</small> <small>DRÄHN</small>	<small>30.05.2008</small> <small>F.P.</small>
<small>PART NO.:</small>	<small>Änderung:</small> <small>ÄNDERUNG:</small>	<small>Gezeichnet</small> <small>DRÄHN</small>	<small>07.09.2009</small> <small>FCo</small>
<small>with close-mount hdw. General dimensions</small>	<small>Customer:</small> <small>KUNDE</small>	<small>Gezeichnet</small> <small>DRÄHN</small>	<small>508333.DWG</small>
	<small>VICI AG International, CH-6214 Schenkon</small>	<small>Zeichnungs Nr. / DRAWING NO.</small>	1-GE-5063.33 a