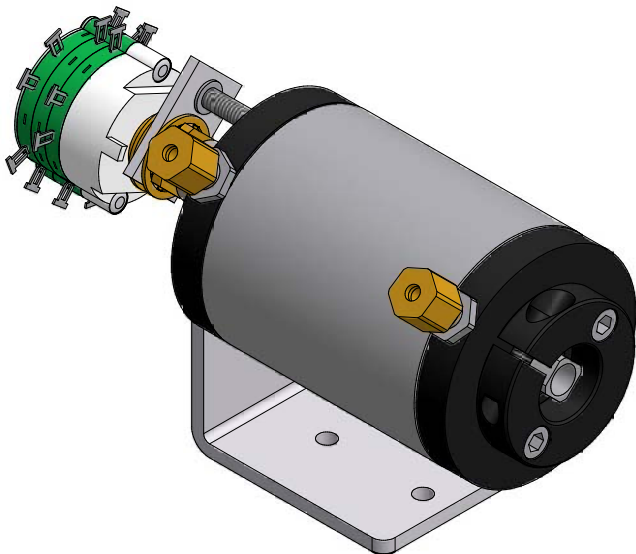


Dimension in mm [Inch]



THIS DOCUMENT AND THE INFORMATION WHICH IT CONTAINS SHALL NOT BE USED, EXPLOITED OR SOLD, AND SHALL NOT BE REVEALED OR DISCLOSED TO OTHERS WITHOUT THE EXPRESS WRITTEN PERMISSION OF VICI. THIS DOCUMENT SHALL REMAIN THE PROPERTY OF VICI AND SHALL BE RETURNED UPON DEMAND.		Material MATERIAL	Dimensionen DIMENSIONS
Änderungen: MODIFICATIONS: a) 27.09.05 FP #473, Redrawn in Inventor		Projektion PROJECTION	Allgemein Toleranzen GENERAL TOLERANCES
PART NO.: A*S			SN EN 22768-1/ISO 2768
Multi position Air actuator		Masstab SCALE 1:1	Gezeichnet DRAWN 02.12.1999 F.P. Geprüft / Freigabe CHECKED/RELEASE 27.09.2005 FCo CAD Nr. CAD NO. 506027.idw
General dimensions		Unterverz.: SUB DIRC.: KUNDE	
		Zeichnungs Nr. / DRAWING NO.	
VICI AG International, CH-6214 Schenkon		3 - GE - 5060.27 a	