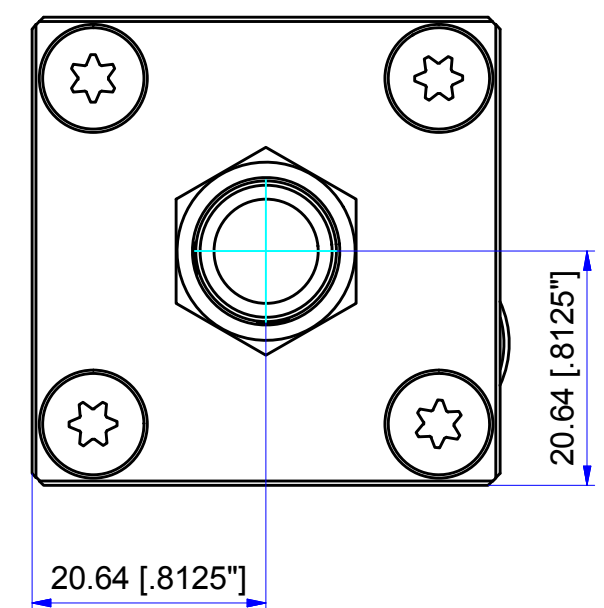
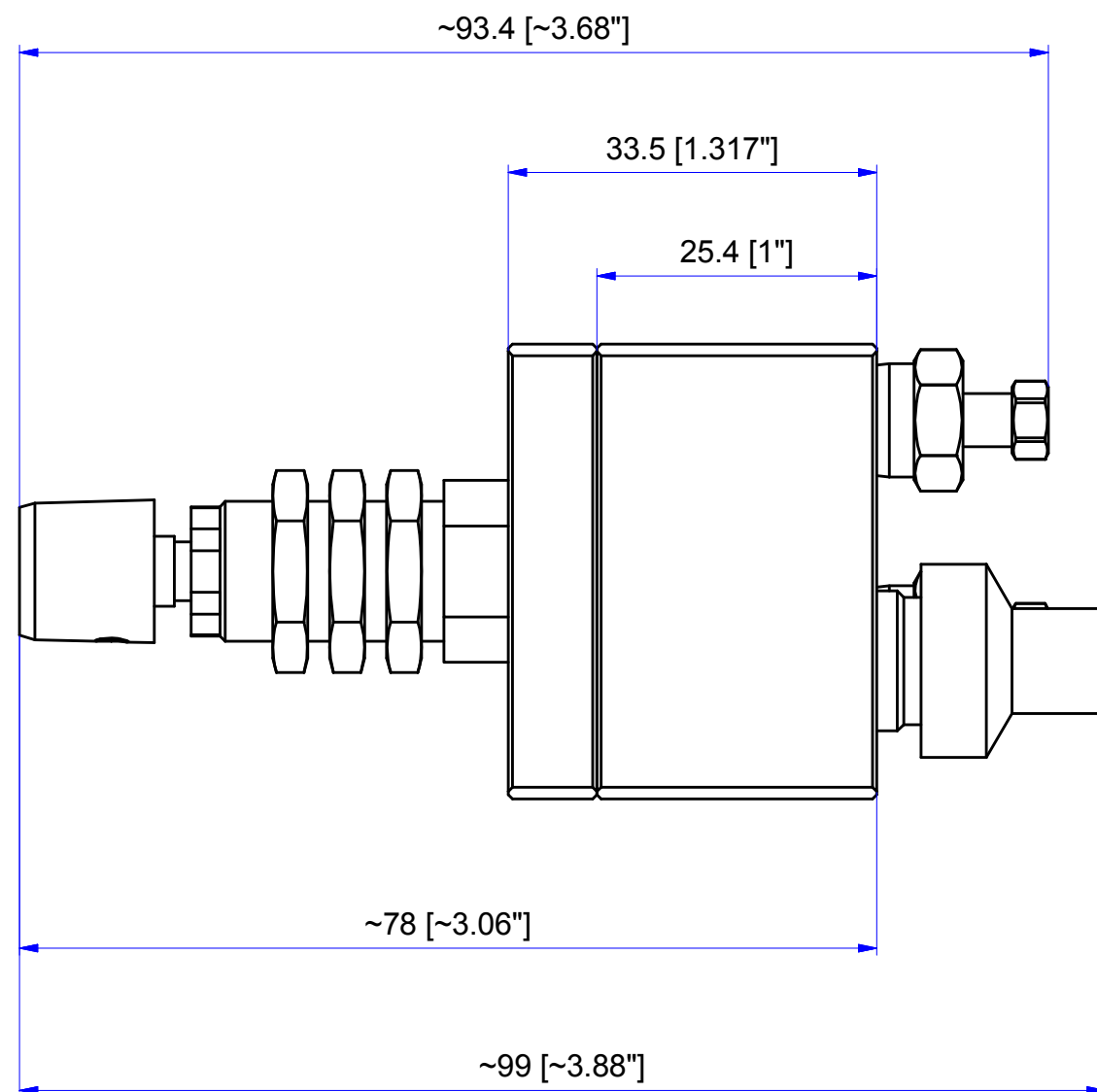
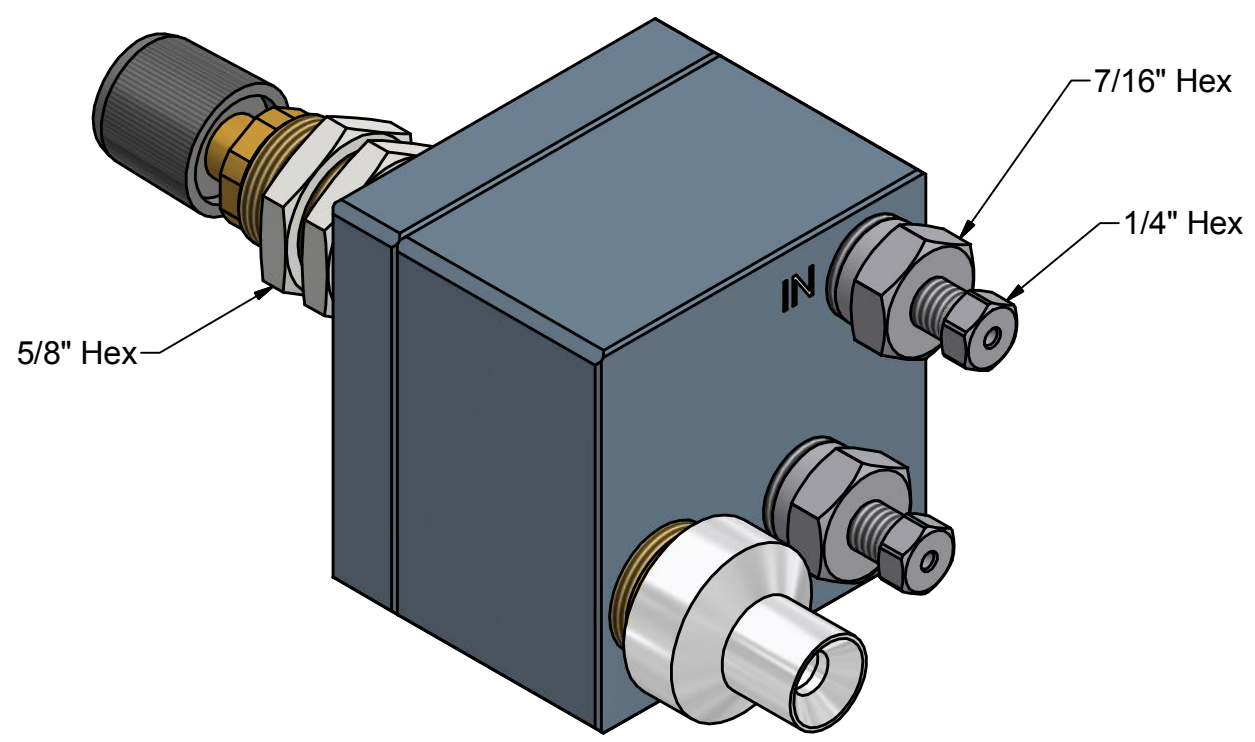


SHOWN FC22AS1K



Dimension in mm [Inch]



THIS DOCUMENT AND THE INFORMATION WHICH IT CONTAINS SHALL NOT BE USED, EXPLOITED OR SOLD, AND SHALL NOT BE REVEALED OR DISCLOSED TO OTHERS WITHOUT THE EXPRESS WRITTEN PERMISSION OF VICI. THIS DOCUMENT SHALL REMAIN THE PROPERTY OF VICI AND SHALL BE RETURNED UPON DEMAND.		Material MATERIAL		Dimensionen DIMENSIONS	
Aenderungen: MODIFICATIONS:		Projektion PROJECTION		Allgemein Toleranzen GENERAL TOLERANCES	
PART NO.: FC22*				SN EN 22768-1/ ISO 2768	
Gas flow controller		Masstab SCALE	Gezeichnet DRAWN	18.01.2013	F.P.
Model 202		1.5:1	Geprüft / Freigabe CHECKED/ RELEASE	18.01.2013	FCo
General dimensions		CAD Nr. CAD NO.		506400.idw	
VICI®		Unterverz.: SUB DIREC.:		KUNDE	
VICI AG International, CH-6214 Schenkon		Zeichnungs Nr. / DRAWING NO.		3 - GE - 5064.00	