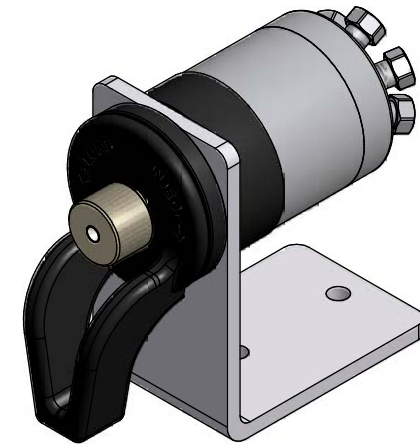


Dimension in mm [Inch]

Fitting size	Bore	Prod No
1/16" (Metal stator)	0.25 mm [.01"]	C1CFI-1006
1/16" (PEAK stator)	0.25 mm [.01"]	C1CFI-1346
1/16" (Metal stator)	0.40 mm [.016"]	C1CFI-2006
1/16" (PEAK stator)	0.40 mm [.016"]	C1CFI-2346



THIS DOCUMENT AND THE INFORMATION WHICH IT CONTAINS SHALL NOT BE USED, EXPLOITED OR SOLD, AND SHALL NOT BE REVEALED OR DISCLOSED TO OTHERS WITHOUT THE EXPRESS WRITTEN PERMISSION OF VICI. THIS DOCUMENT SHALL REMAIN THE PROPERTY OF VICI AND SHALL BE RETURNED UPON DEMAND.				Material MATERIAL	Dimension DIMENSIONS
Änderungen: a) 19.10.09 FP #601, changed design MODIFICATIONS:				Projection PROJECTION	Allgemein-Toleranzen GENERAL TOLERANCES
PART NO.: C1CFI-***6				SN EN 22768-1/ISO 2768	
6 port 2-pos. valve Model C1CFI			Maßstab SCALE	Gezeichnet DRAWN	14.11.2008 F.P.
General dimensions			2:1	Geprüft / Checked CHECKED / RELEASE	16.11.2009 FCo
Unterverz.: SUB DIR.: SHOP			CAD Nr. CAD NO.: 322115.idw		
VICI® VICI AG International, CH-6214 Schenkon			Zeichnungs-Nr. / DRAWING NO. 2 - MO - 3221.15 a		