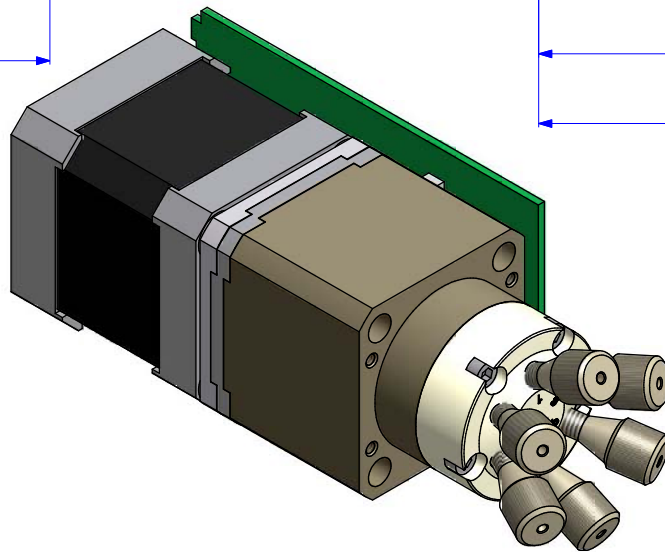
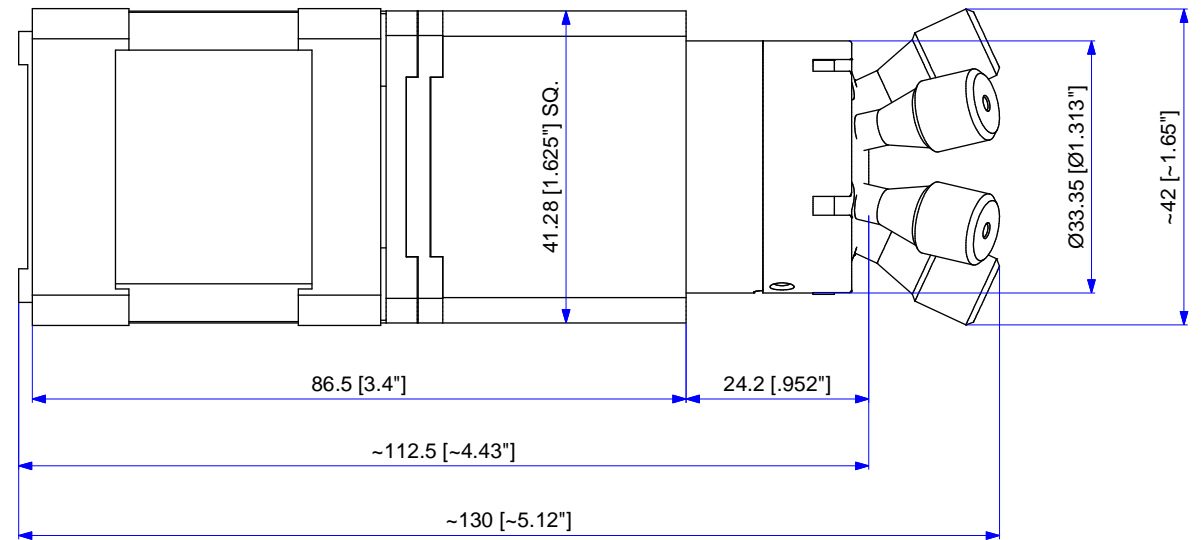
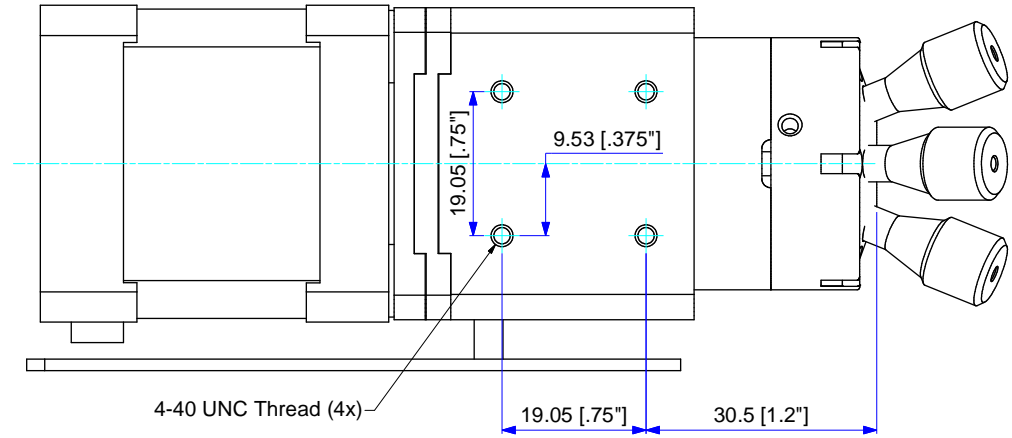
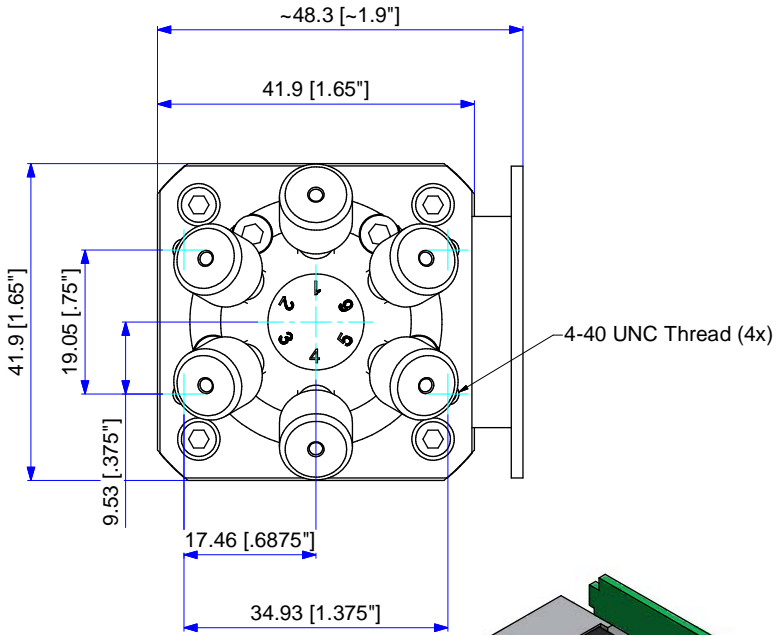


C62Z-3186I shown, 6 port 2 pos. valve



Dimension in mm [Inch]

THIS DOCUMENT AND THE INFORMATION WHICH IT CONTAINS SHALL NOT BE USED, EXPLOITED OR SOLD, AND SHALL NOT BE REVEALED OR DISCLOSED TO OTHERS WITHOUT THE EXPRESS WRITTEN PERMISSION OF VICI. THIS DOCUMENT SHALL REMAIN THE PROPERTY OF VICI AND SHALL BE RETURNED UPON DEMAND.				Material MATERIAL	Dimension DIMENSIONS
Änderungen: MODIFICATIONS:		Projection PROJECTION	Allgemein-Toleranzen GENERAL TOLERANCES		
PART NO.: C62Z-*			SN EN 22768-1/ISO 2768		
General dimensions		Meßstab SCALE	Gezeichnet DRAWN	30.07.2010	F.P.
		2:1	Geprüft / Freigegeben / Checked / Released	30.07.2010	FCo
		Unterverz.: SUB DIREC.:	KUNDE		
VICI® VICI AG International, CH-6214 Schenkon		Zeichnungs-Nr. / DRAWING NO.		2 - GE - 5063.79	