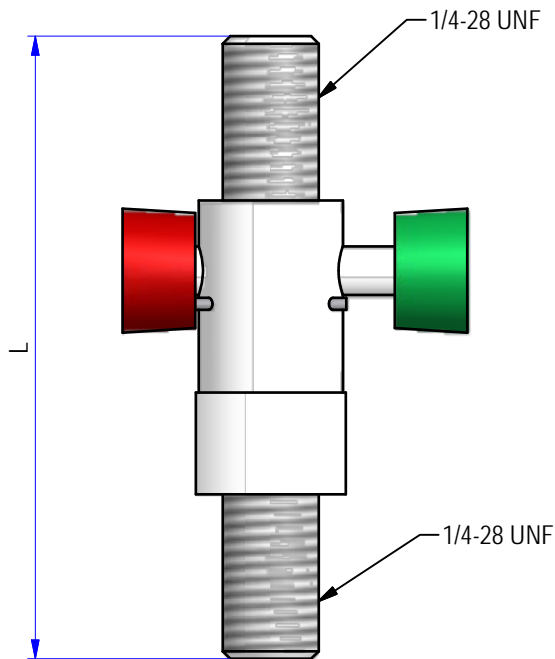
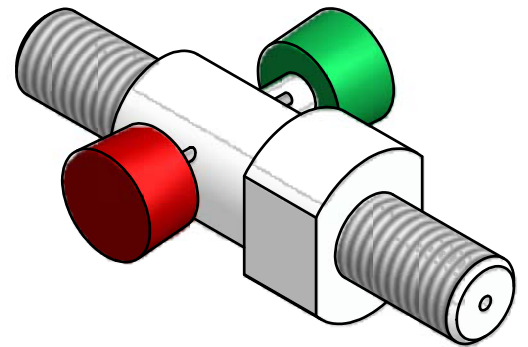


Shown PS-631205



Dimension in mm [Inch]

Prod No	Thread	L	
		mm	Inch
PS-631205	Male to male	41.2	1.621"
PS-631206	Female to female	36.3	1.430"

THIS DOCUMENT AND THE INFORMATION WHICH IT CONTAINS SHALL NOT BE USED, EXPLOITED OR SOLD, AND SHALL NOT BE REVEALED OR DISCLOSED TO OTHERS WITHOUT THE EXPRESS WRITTEN PERMISSION OF VICI. THIS DOCUMENT SHALL REMAIN THE PROPERTY OF VICI AND SHALL BE RETURNED UPON DEMAND.

Aenderungen: MODIFICATIONS: PART NO.: PS-63120*

Projektion PROJECTION: Allgemein Toleranzen GENERAL TOLERANCES: SN EN 22768-1/ ISO 2768

In-line valve
Threaded fitting, 1/4-28 UNF
 General dimensions

Masstab SCALE: 2:1	Gezeichnet DRAWN: 23.11.2010	F.P.
	Geprüft / Freigabe CHECKED/ RELEASE: 23.11.2010	FCo
	CAD Nr. CAD NO.: 820300.idw	

VICI[®] VICI AG International, CH-6214 Schenkon

Unterverz.: SUB DIREC.: **Mininert Valves**
 Zeichnungs Nr. / DRAWING NO.: **4 - GE - 8203.00**