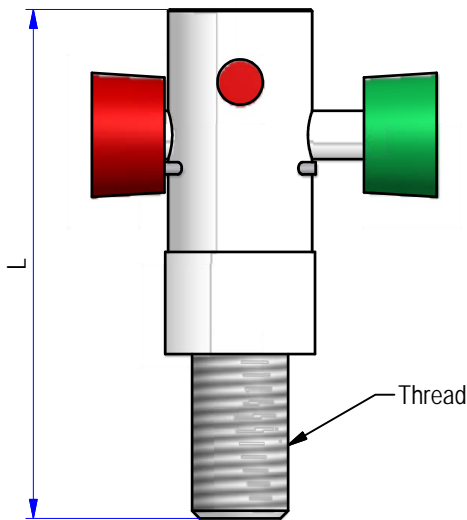
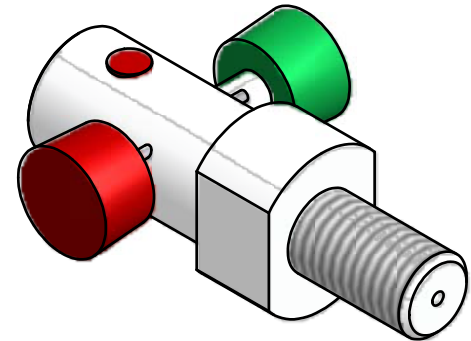


Shown PS-631201



Dimension in mm [Inch]

Prod No	Thread size	A		B		L	
		mm	Inch	mm	Inch	mm	Inch
PS-631201	1/4-28 UNF male	Ø 12.7	Ø .500"	9.91	.39"	33.7	1.325"
PS-631203	1/4-28 UNF female	Ø 12.7	Ø .500"	9.91	.39"	28.7	1.131"
PS-631202	1/8" NPT male	Ø 12.7	Ø .500"	9.91	.39"	35.5	1.396"
PS-631204	1/8" NPT female	Ø 14.3	Ø .562"	12.95	.51"	35.7	1.406"

THIS DOCUMENT AND THE INFORMATION WHICH IT CONTAINS SHALL NOT BE USED, EXPLOITED OR SOLD, AND SHALL NOT BE REVEALED OR DISCLOSED TO OTHERS WITHOUT THE EXPRESS WRITTEN PERMISSION OF VICI. THIS DOCUMENT SHALL REMAIN THE PROPERTY OF VICI AND SHALL BE RETURNED UPON DEMAND.

Material  
MATERIAL

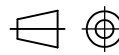
Dimensionen  
DIMENSIONS

Aenderungen:  
MODIFICATIONS:

Projektion  
PROJECTION

Allgemein Toleranzen  
GENERAL TOLERANCES

PART NO.:  
PS-63120\*



SN EN 22768-1/ ISO 2768

**Termination valve  
Threaded fittings**

Masstab  
SCALE

Gezeichnet  
DRAWN

23.11.2010

F.P.

2:1

Geprüft / Freigabe  
CHECKED/ RELEASE

23.11.2010

FCo

CAD Nr.  
CAD NO.

820400.idw

Unterverz.:  
SUB DIREC.:

Mininert Valves

Zeichnungs Nr. / DRAWING NO.

**4 - GE - 8204.00**

**VICI®**

VICI AG International, CH-6214 Schenkon