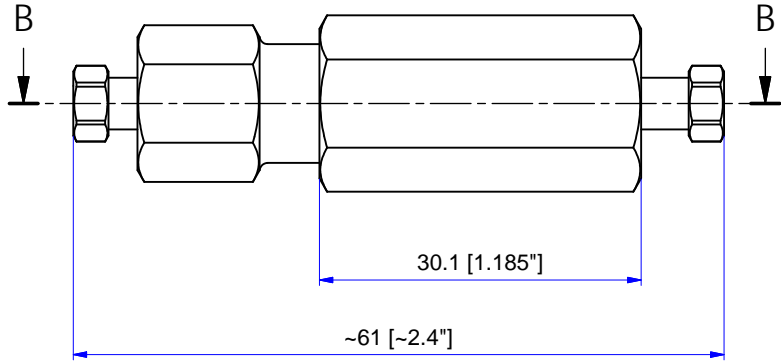
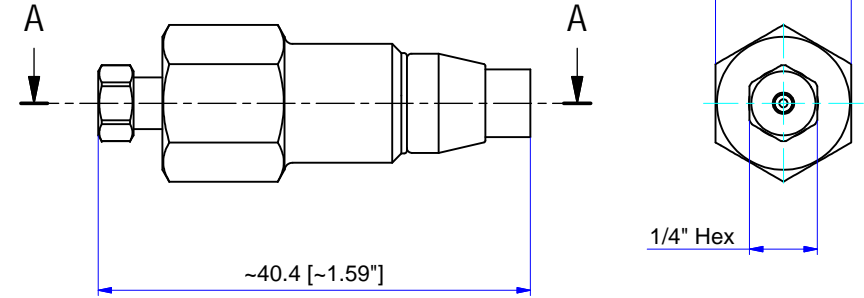


9/16" Hex

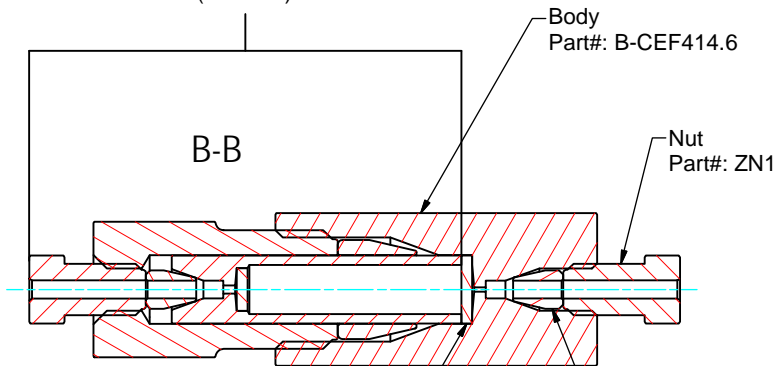
Part#: PCS412F



Part#: PCL412*



PRECOLUMN INSERT
(PCL412)



Frit
Part#: * 2FR4
** .5FR4

Nut
Part#: ZCN41

Ferrule
Part#: ZF1S6

Frit, 2 micron

Nut
Part#: ZN1

Cartridge
Part#: PCC412

A-A

THIS DOCUMENT AND THE INFORMATION WHICH IT CONTAINS SHALL NOT BE USED, EXPLOITED OR SOLD, AND SHALL NOT BE REVEALED OR DISCLOSED TO OTHERS WITHOUT THE EXPRESS WRITTEN PERMISSION OF VICI. THIS DOCUMENT SHALL REMAIN THE PROPERTY OF VICI AND SHALL BE RETURNED UPON DEMAND.

Material MATERIAL	Dimensionen DIMENSIONS
Projektion PROJECTION	Allgemein Toleranzen GENERAL TOLERANCES
SN EN 22768-1/ ISO 2768	

Aenderungen:
MODIFICATIONS:

PART NO.:
PC*412*

Precolumn system
1/4" x 2 cm

General dimensions

Masstab SCALE	Gezeichnet DRAWN	23.03.2010	F.P.
2:1	Gepflicht / Freigabe CHECKED/RELEASE	23.03.2010	FCo
CAD Nr. CAD NO.	506367.idw		

Unterverz.:
SUB DIRC.: KUNDE

Zeichnungs Nr. / DRAWING NO.

VICI[®]

VICI AG International, CH-6214 Schenkon

3 - GE - 5063.67

Dimension in mm [Inch]