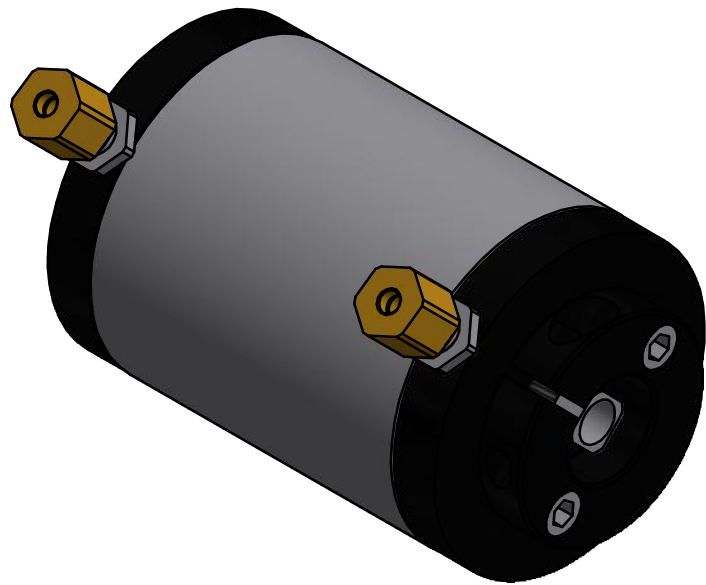


Dimension in mm [Inch]



THIS DOCUMENT AND THE INFORMATION WHICH IT CONTAINS SHALL NOT BE USED, EXPLOITED OR SOLD, AND SHALL NOT BE REVEALED OR DISCLOSED TO OTHERS WITHOUT THE EXPRESS WRITTEN PERMISSION OF VICI. THIS DOCUMENT SHALL REMAIN THE PROPERTY OF VICI AND SHALL BE RETURNED UPON DEMAND.		Material MATERIAL	Dimensionen DIMENSIONS
Aenderungen: MODIFICATIONS: a) 07.12.18 FP #1561, no bracket		Projektion PROJECTION	Allgemein Toleranzen GENERAL TOLERANCES
PART NO.: A*S			SN EN 22768-1/ ISO 2768
Air actuator 2-pos. for standoff		Masstab SCALE	Gezeichnet DRAWN
		1:1	14.02.2007 F.P.
General dimensions		Geprüft / Freigabe CHECKED/ RELEASE	
		07.12.2018 FCo	
		CAD Nr. CAD NO.	
		506098.idw	
		Unterverz.: SUB DIREC.: KUNDE	
		Zeichnungs Nr. / DRAWING NO.	
		3 - GE - 5060.98 a	
VICI AG International, CH-6214 Schenkon			