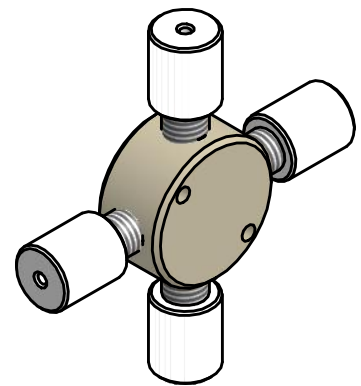


Dimension in mm [Inch]



Tubing OD	Bore	PEEK Part#	CTFE Part#
1/16"	Ø 0.25 [Ø 0.01"]	CXCPK	CXCKF
1/16"	Ø 0.50 [Ø 0.02"]	CXPK	CXKF
1/16"	Ø 0.75 [Ø 0.03"]	CXMPK	CXMKF
1/8"	Ø1.50 [Ø 0.06"]	CXLPK	CXLKF

THIS DOCUMENT AND THE INFORMATION WHICH IT CONTAINS SHALL NOT BE USED, EXPLOITED OR SOLD, AND SHALL NOT BE REVEALED OR DISCLOSED TO OTHERS WITHOUT THE EXPRESS WRITTEN PERMISSION OF VICI. THIS DOCUMENT SHALL REMAIN THE PROPERTY OF VICI AND SHALL BE RETURNED UPON DEMAND.

Material MATERIAL	Dimensionen DIMENSIONS
Projektion PROJECTION	Allgemein Toleranzen GENERAL TOLERANCES
	SN EN 22768-1/ ISO 2768

Aenderungen:  
MODIFICATIONS:  
PART NO.:

# Low pressure crosses with 1/4-28 fittings

General dimensions

Masstab SCALE 1:1	Gezeichnet DRAWN	19.01.2009	F.P.
	Geprüft / Freigabe CHECKED/ RELEASE	19.01.2009	FCo
	CAD Nr. CAD NO.	506344.idw	

Unterverz.: SUB DIREC.: KUNDE

Zeichnungs Nr. / DRAWING NO.

**VICI**<sup>®</sup> VICI AG International, CH-6214 Schenkon

**4 - GE - 5063.44**