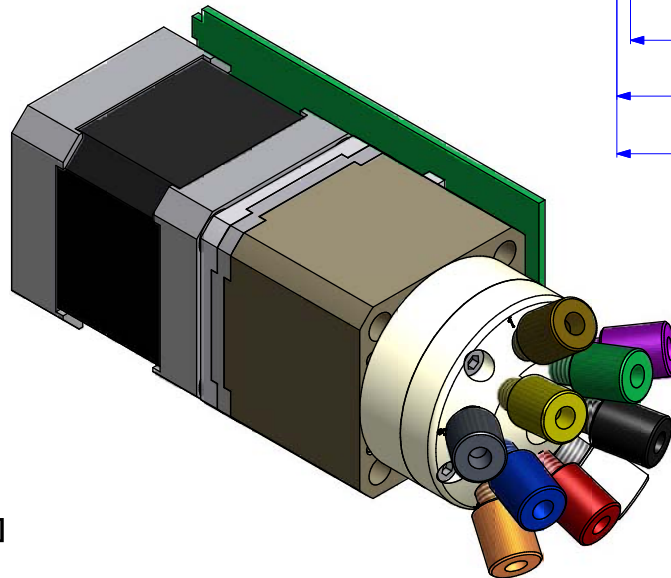
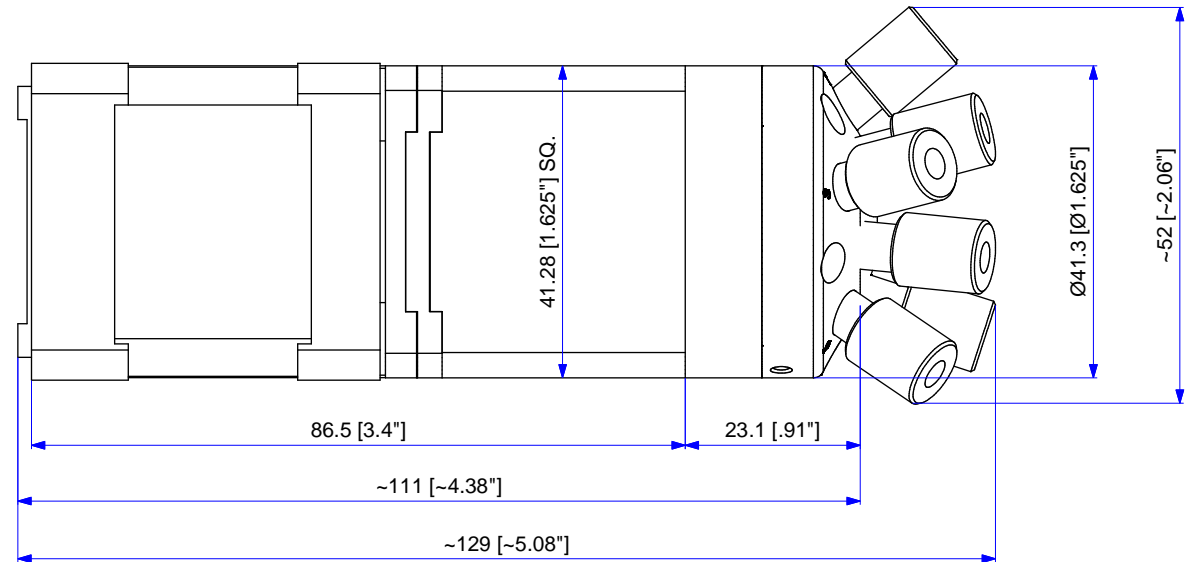
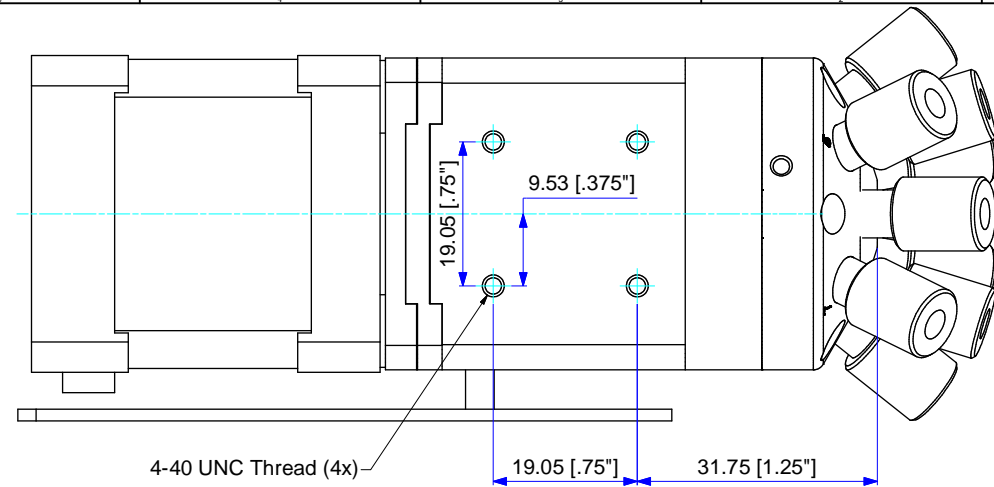
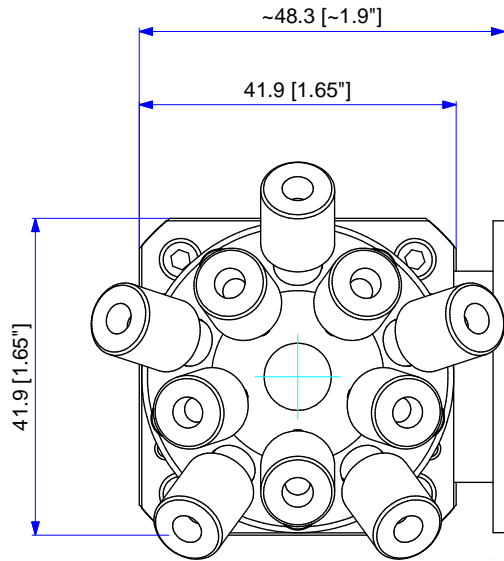


C62-6180I shown, 10 port 2 pos. valve



Dimension in mm [Inch]

THIS DOCUMENT AND THE INFORMATION WHICH IT CONTAINS SHALL NOT BE USED, EXPLOITED OR SOLD, AND SHALL NOT BE REVEALED OR DISCLOSED TO OTHERS WITHOUT THE EXPRESS WRITTEN PERMISSION OF VICI. THIS DOCUMENT SHALL REMAIN THE PROPERTY OF VICI AND SHALL BE RETURNED UPON DEMAND.		Material MATERIAL	Dimension DIMENSIONS
Anderungen: MODIFICATIONS:		Projection PROJECTION	Allgemein-Toleranzen GENERAL TOLERANCES
PART NO.:			SN EN 22768-1/ ISO 2768
8 or 10 Port 2-pos. valve with 1/4-28 fitting, low pressure		Maßstab SCALE 2:1	Geszeichnet DRAWN 30.07.2010 F.P. Geprüft / Freigegeben / Checked / Released 30.07.2010 FCo CAD Nr. / CAD NO. 506378.idw
Model C62 and C65, General dimensions		Unterwerk: / SUB DIREC.: KUNDE	
		Zeichnungs-Nr. / DRAWING NO. 2 - GE - 5063.78	
VICI AG International, CH-6214 Schenkon			