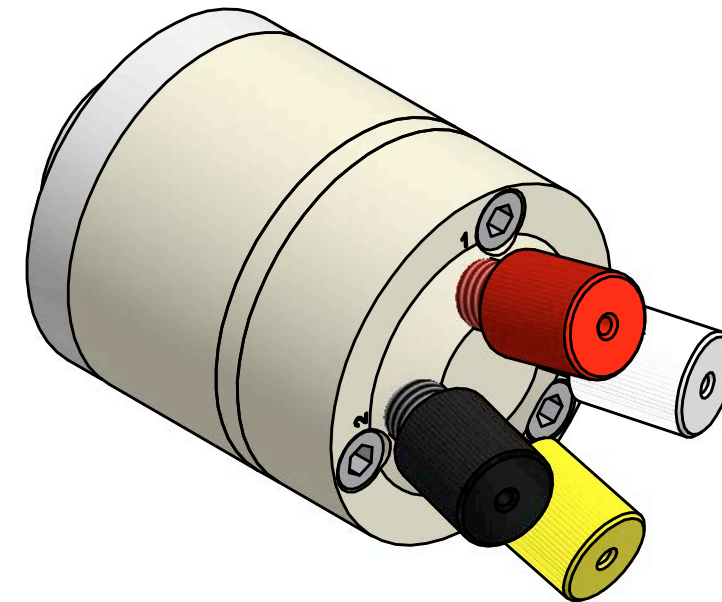


2 pos. 4 port C22 valve shown



Serie	Description	Fitting	X	L
C22 2 pos.	4 and 6 port	1/4"-28	Ø34.9 mm Ø1.375"	40.3 mm 1.585"
C22Z 2 pos.	4, 6, 8 and 10 port	1/16" ZDV	Ø34.9 mm Ø1.375"	40.3 mm 1.585"
C22 2 pos.	8 and 10 port	1/4"-28	Ø44.2 mm Ø1.74"	43.0 mm 1.69"

Dimension in mm [Inch]

THIS DOCUMENT AND THE INFORMATION WHICH IT CONTAINS SHALL NOT BE USED, EXPLOITED OR SOLD, AND SHALL NOT BE REVEALED OR DISCLOSED TO OTHERS WITHOUT THE EXPRESS WRITTEN PERMISSION OF VICI. THIS DOCUMENT SHALL REMAIN THE PROPERTY OF VICI AND SHALL BE RETURNED UPON DEMAND.

Aenderungen:  
MODIFICATIONS:

PART NO.:  
C22\*

Gezeichnet  
DRAWN  
18.07.2012  
F.P.

Geprüft / Freigabe  
CHECKED/ RELEASE  
18.07.2012  
FCo

CAD Nr.  
CAD NO.  
506394.idw

Unterverz.:  
SUB DIREC.: KUNDE

Zeichnungs Nr. / DRAWING NO.  
3 - GE - 5063.94

Masstab  
SCALE  
1.5:1

Allgemein Toleranzen  
GENERAL TOLERANCES  
SN EN 22768-1/ ISO 2768

Material  
MATERIAL

Dimensionen  
DIMENSIONS

**VICI**<sup>®</sup> VICI AG International, CH-6214 Schenkon

**C22 Series, 2-pos. valve**  
**Low pressure**

General dimensions