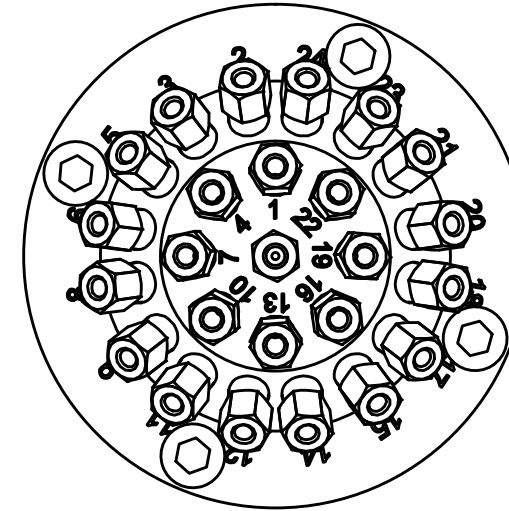
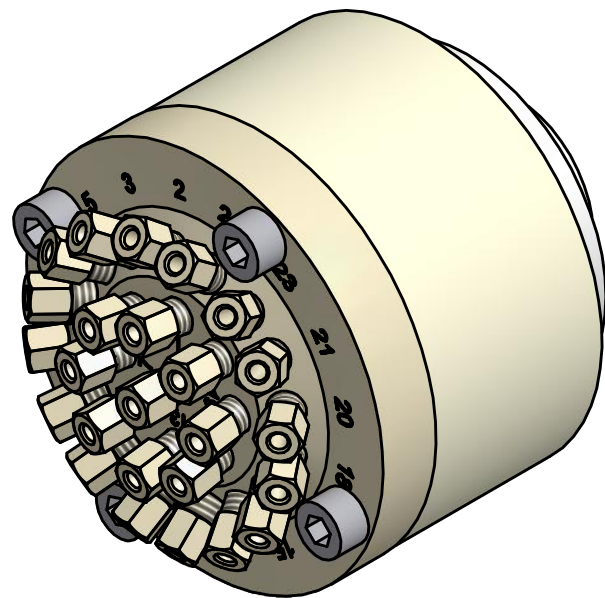


Dimension in mm [Inch]



24 Position valve shown



Part Nr.	Description	X	L
C25G-24520D	20 Position	Ø44.45 mm [Ø1.75"]	42.2 mm [1.66"]
C25G-24524D	24 Position	Ø44.45 mm [Ø1.75"]	42.2 mm [1.66"]
C25G-24528D	28 Position	Ø44.45 mm [Ø1.75"]	42.2 mm [1.66"]

THIS DOCUMENT AND THE INFORMATION WHICH IT CONTAINS SHALL NOT BE USED, EXPLOITED OR SOLD, AND SHALL NOT BE REVEALED OR DISCLOSED TO OTHERS WITHOUT THE EXPRESS WRITTEN PERMISSION OF VICI. THIS DOCUMENT SHALL REMAIN THE PROPERTY OF VICI AND SHALL BE RETURNED UPON DEMAND.

Aenderungen:
MODIFICATIONS:

PART NO.:
C25G-2452*D

Material MATERIAL

Dimensionen DIMENSIONS

Projektion PROJECTION

Allgemein Toleranzen GENERAL TOLERANCES

SN EN 22768-1/ ISO 2768

Masstab SCALE: 1.5:1

Gezeichnet DRAWN: 08.05.2013 F.P.

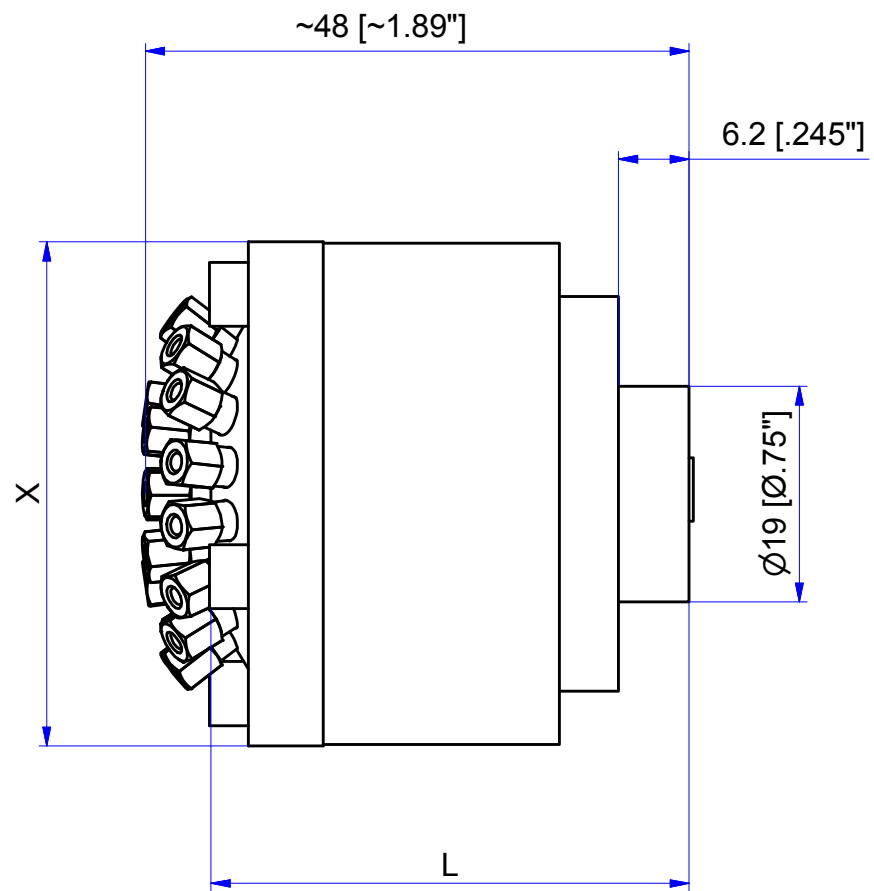
Geprüft / Freigabe CHECKED/ RELEASE: 08.05.2013 FCo

CAD Nr. CAD NO.: 506405.idw

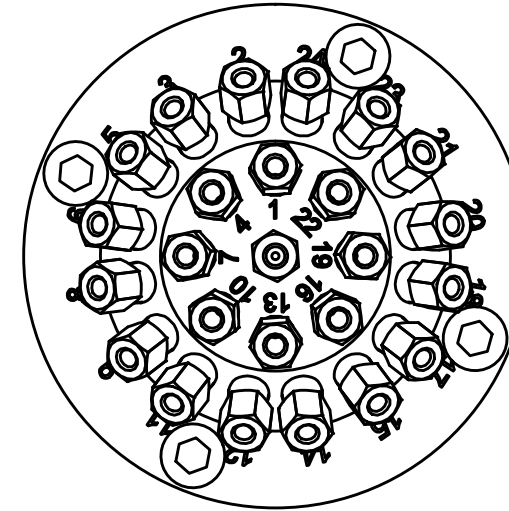
Unterverz.: SUB DIREC.: KUNDE

Zeichnungs Nr. / DRAWING NO.: 3 - GE - 5064.05

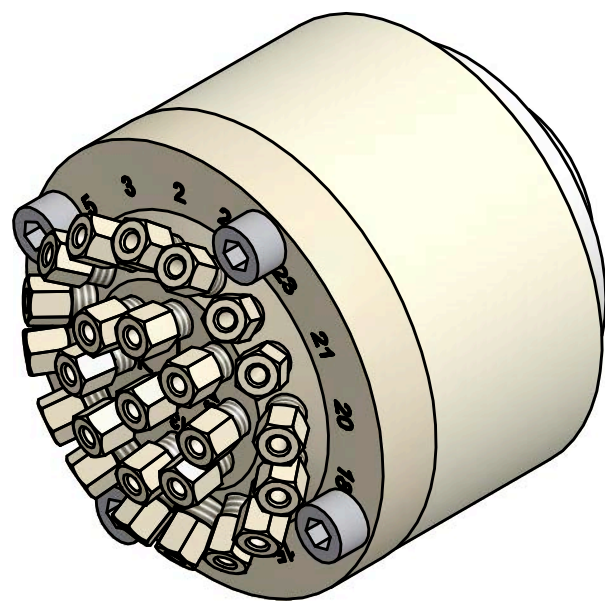
VICI VICI AG International, CH-6214 Schenkon



Dimension in mm [Inch]



24 Position valve shown



Part Nr.	Description	X	L
C25G-24520D	20 Position	Ø44.45 mm [Ø1.75"]	42.2 mm [1.66"]
C25G-24524D	24 Position	Ø44.45 mm [Ø1.75"]	42.2 mm [1.66"]
C25G-24528D	28 Position	Ø44.45 mm [Ø1.75"]	42.2 mm [1.66"]

THIS DOCUMENT AND THE INFORMATION WHICH IT CONTAINS SHALL NOT BE USED, EXPLOITED OR SOLD, AND SHALL NOT BE REVEALED OR DISCLOSED TO OTHERS WITHOUT THE EXPRESS WRITTEN PERMISSION OF VICI. THIS DOCUMENT SHALL REMAIN THE PROPERTY OF VICI AND SHALL BE RETURNED UPON DEMAND.		Material MATERIAL		Dimensionen DIMENSIONS	
Aenderungen: MODIFICATIONS:		Projektion PROJECTION		Allgemein Toleranzen GENERAL TOLERANCES	
PART NO.: C25G-2452*D				SN EN 22768-1/ ISO 2768	
Model C25G, low pressure Stream selector, 1/16" fittings Replacement valve. General dimensions		Masstab SCALE	Gezeichnet DRAWN	08.05.2013	F.P.
		1.5:1	Geprüft / Freigabe CHECKED/ RELEASE	08.05.2013	FCo
		CAD Nr. CAD NO.		506405.idw	
		Unterverz.: SUB DIREC.:		KUNDE	
VICI AG International, CH-6214 Schenkon		Zeichnungs Nr. / DRAWING NO.		3 - GE - 5064.05	