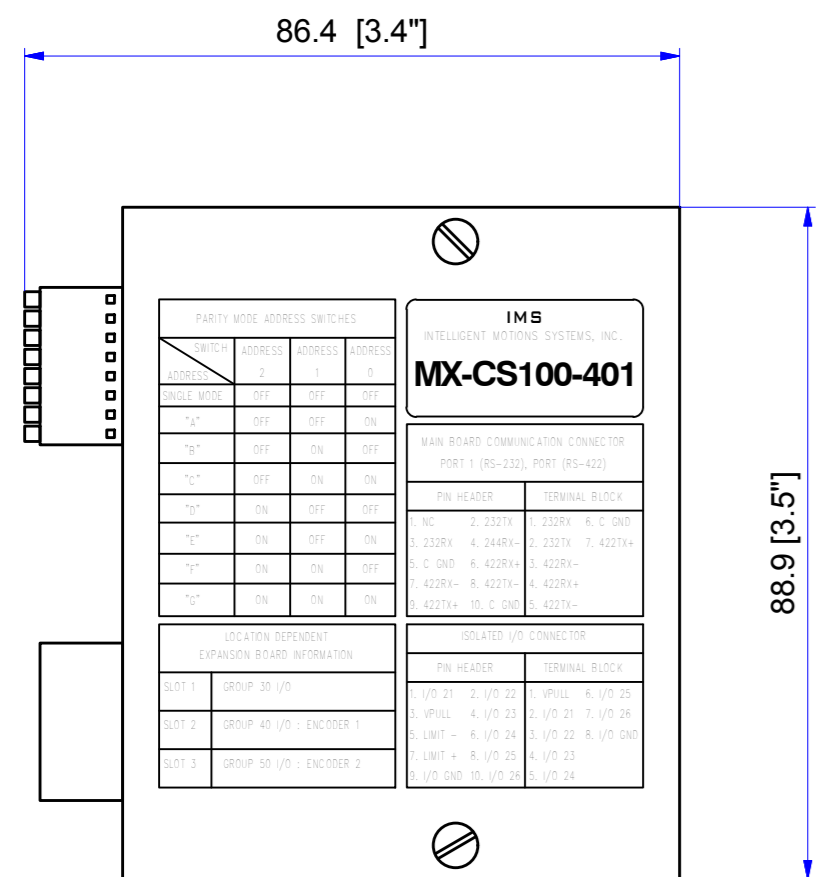
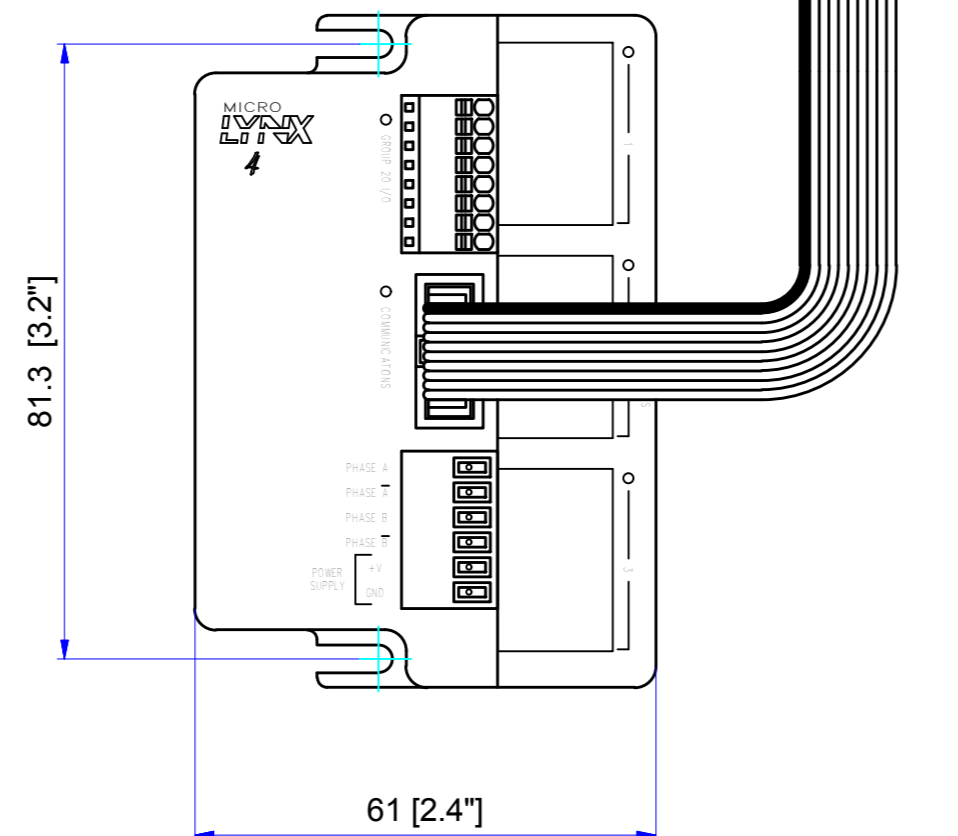


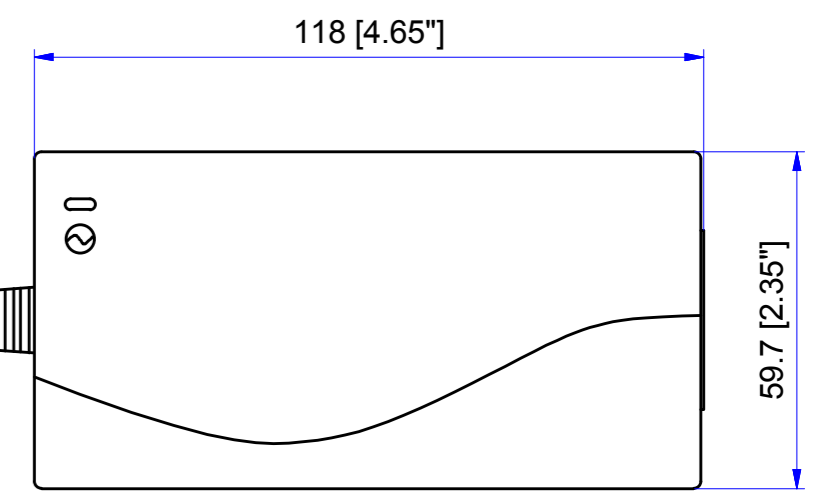
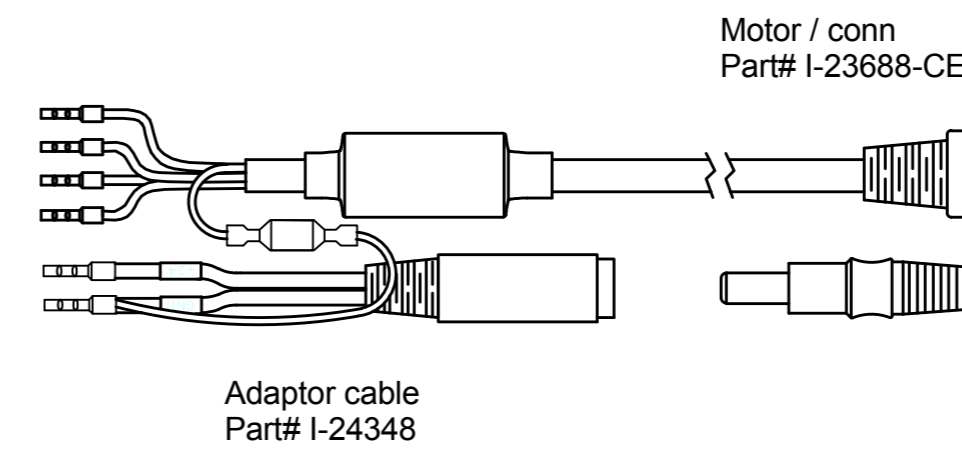
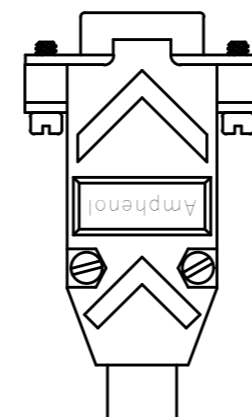
Dimension in mm [Inch]



Micro lynx controller  
Part# CP-CM1-P

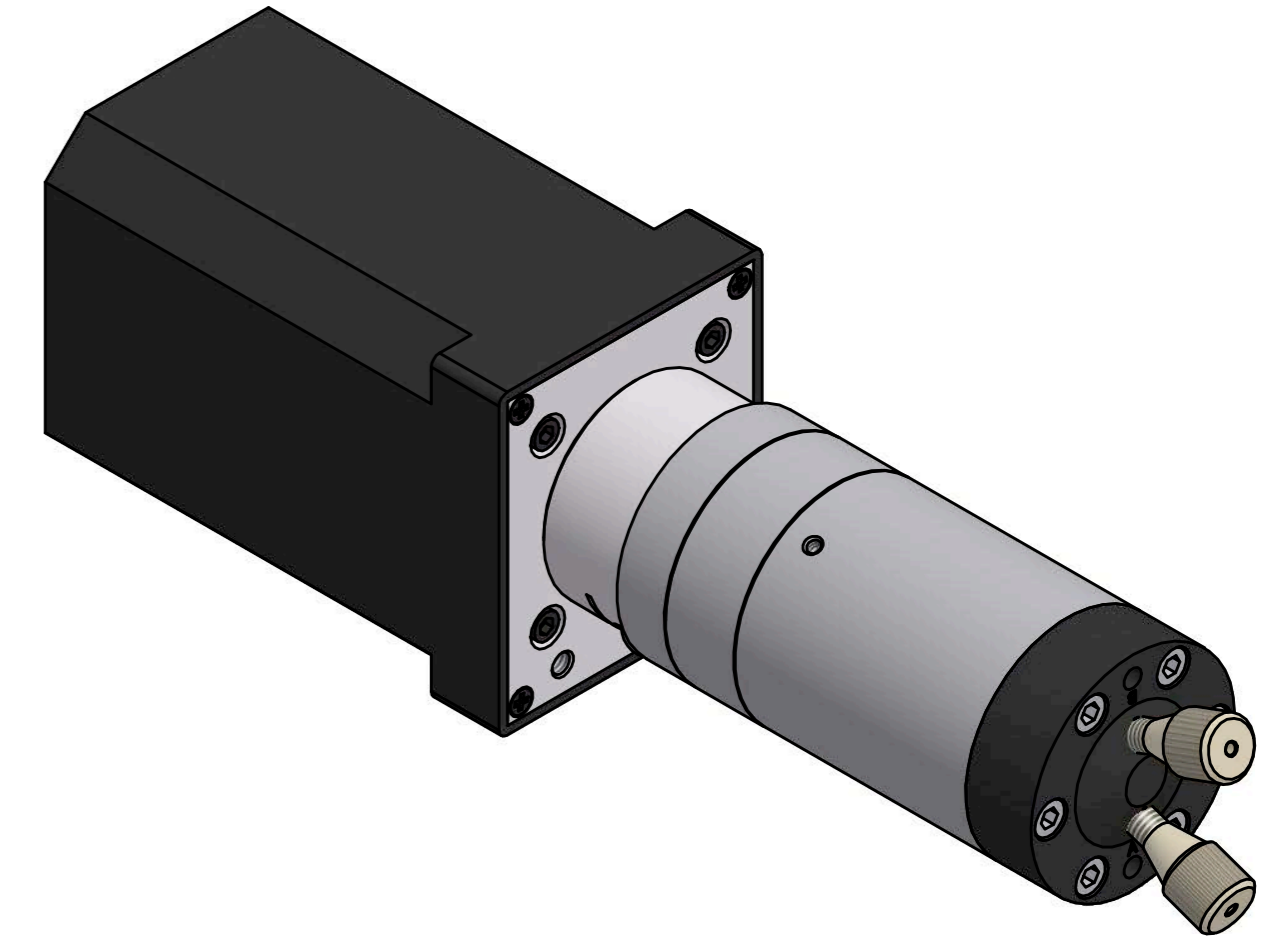
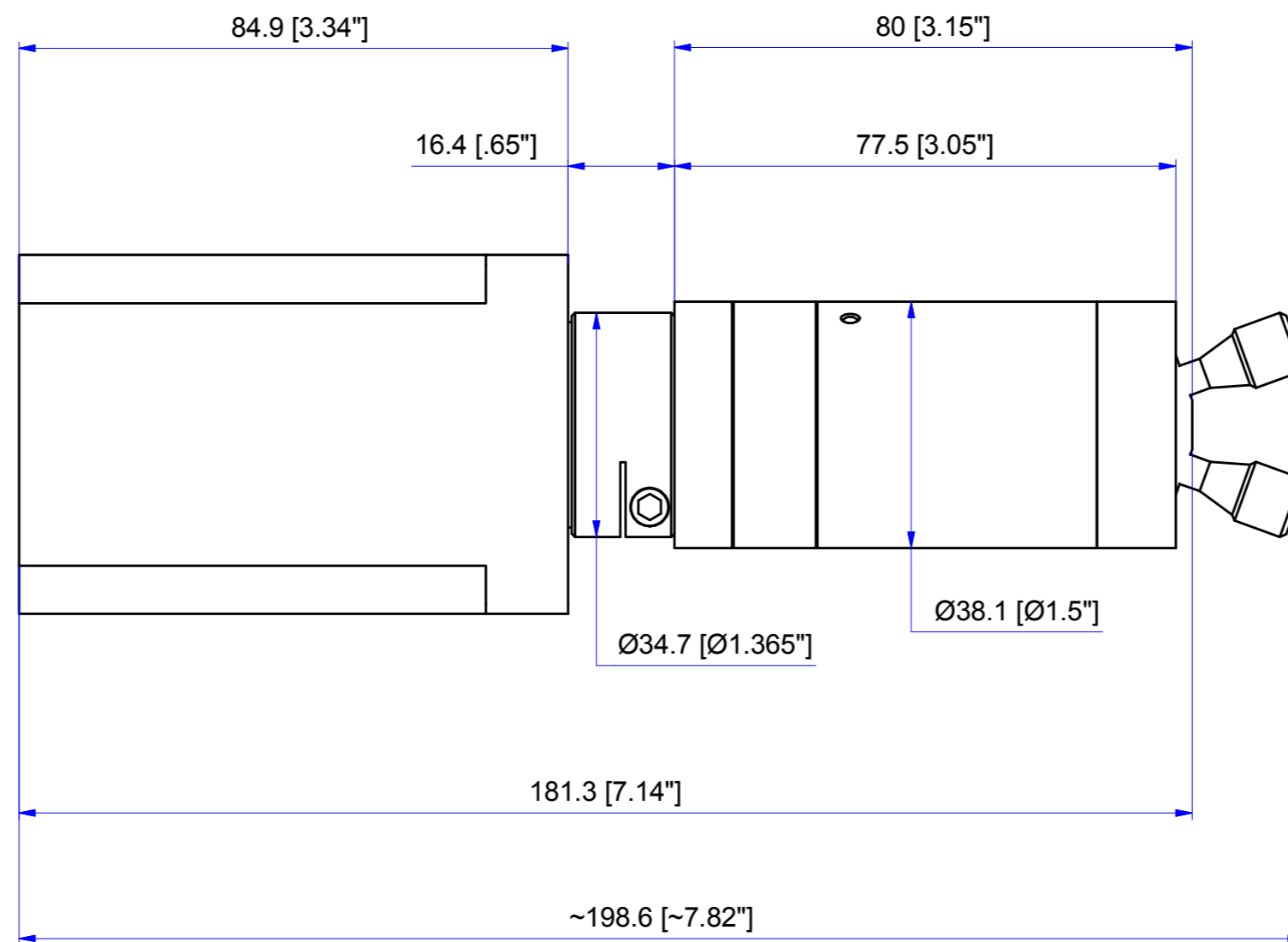
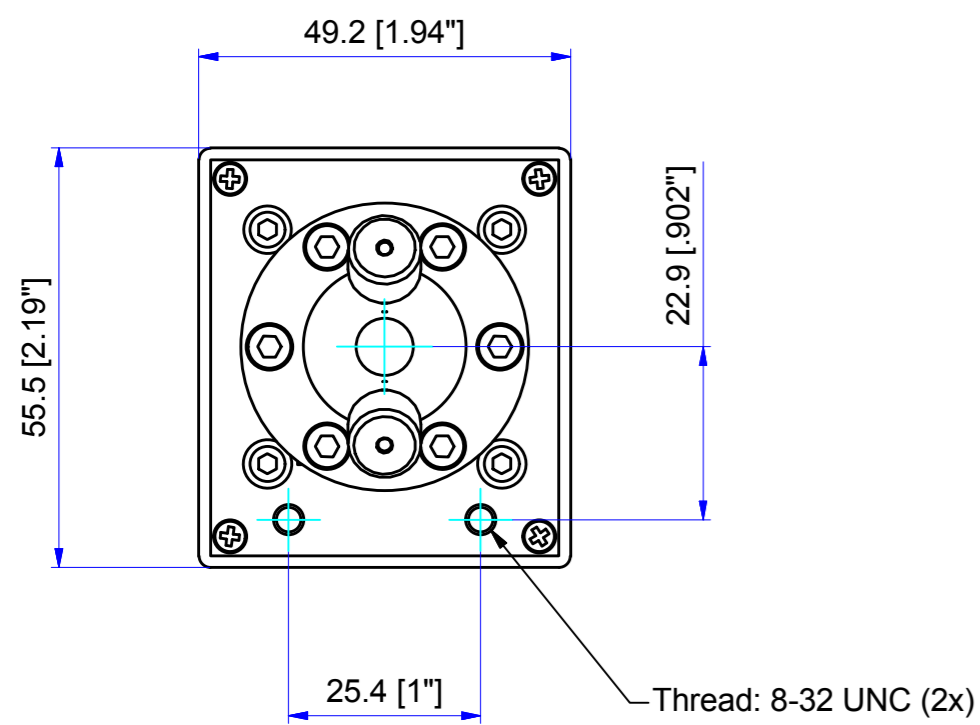


Comm. cable  
Part# I-24185

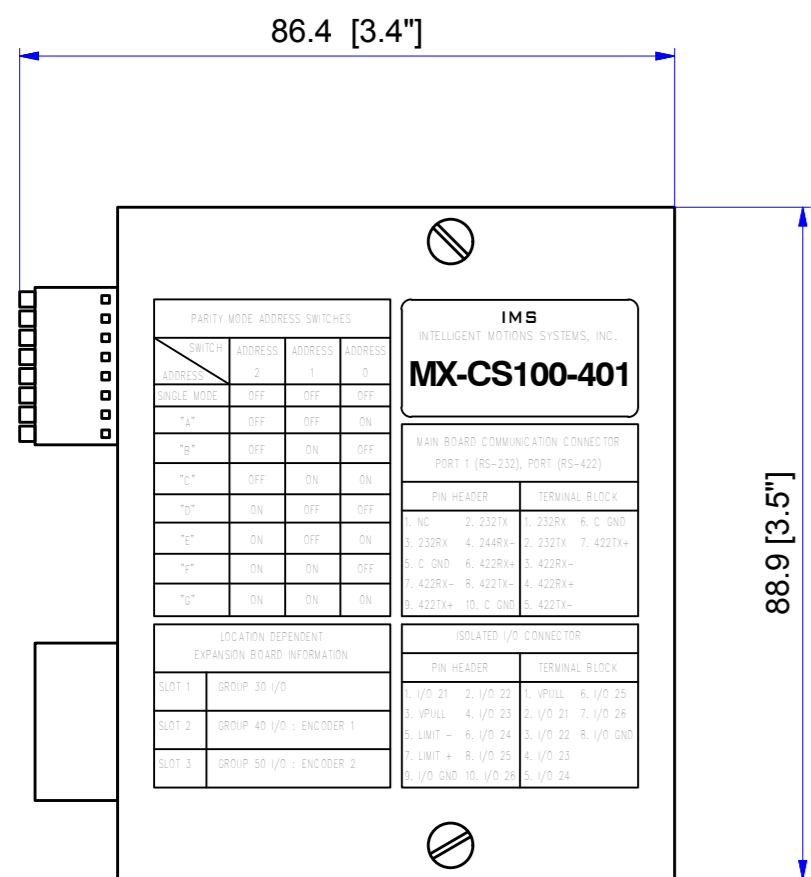


Power supply: 24 VDC, 110/220 VAC, CE  
Part# PS24VDC-CE  
35.6 x 59.7 x 118 [1.4" x 2.35" x 4.65"]

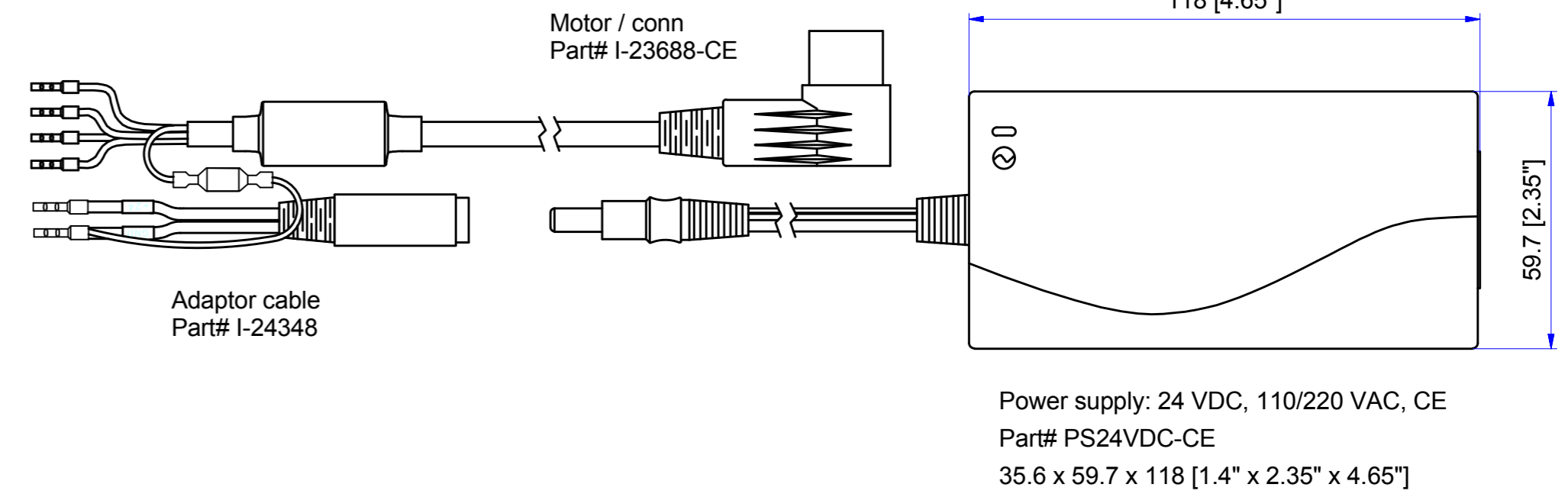
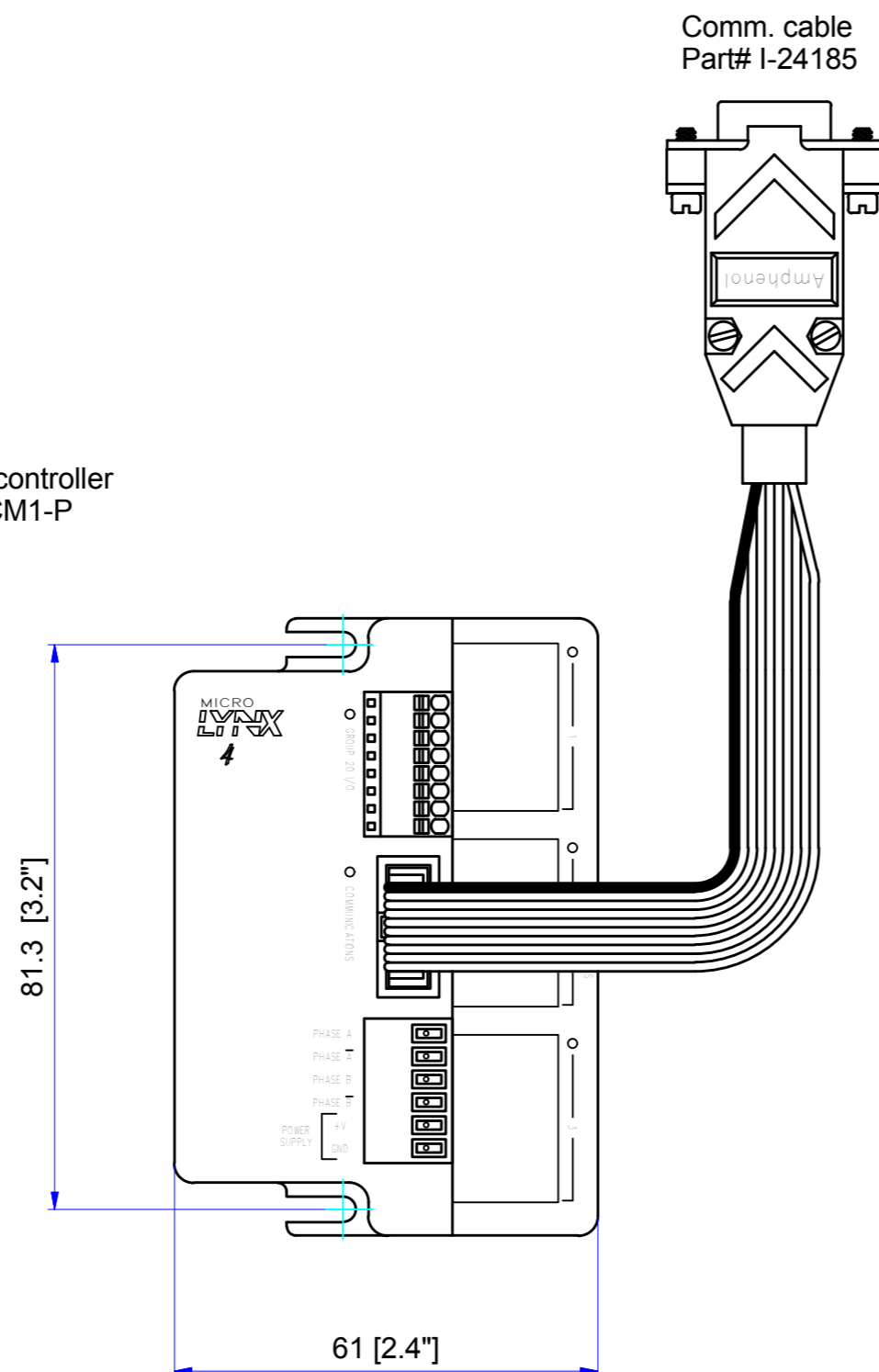
THIS DOCUMENT AND THE INFORMATION WHICH IT CONTAINS SHALL NOT BE USED, EXPLOITED OR SOLD, AND SHALL NOT BE REVEALED OR DISCLOSED TO OTHERS WITHOUT THE EXPRESS WRITTEN PERMISSION OF VICI. THIS DOCUMENT SHALL REMAIN THE PROPERTY OF VICI AND SHALL BE RETURNED UPON DEMAND.		Material	Dimensionen
Aenderungen: MODIFICATIONS:		PROJECTION	Allgemein Toleranzen GENERAL TOLERANCES
PART NO.: CP2-4841-100M1		SN EN 22768-1/ ISO 2768	
<b>M6 Pump with controller and stepper motor</b>		Masstab SCALE 1:1	Gezeichnet DRAWN 16.06.2009 F.P. Geprüft / Freigebe CHECKED/RELEASE 16.06.2009 FCo CAD Nr. CAD NO. 506351.idw
General dimensions SUB DIREC.:		Unterverz.: KUNDE	
VICI® VICI AG International, CH-6214 Schenkon		Zeichnungs Nr. / DRAWING NO. <b>2 - GE - 5063.51</b>	



Dimension in mm [Inch]



Micro lynx controller  
Part# CP-CM1-P



THIS DOCUMENT AND THE INFORMATION WHICH IT CONTAINS SHALL NOT BE USED, EXPLOITED OR SOLD, AND SHALL NOT BE REVEALED OR DISCLOSED TO OTHERS WITHOUT THE EXPRESS WRITTEN PERMISSION OF VICI. THIS DOCUMENT SHALL REMAIN THE PROPERTY OF VICI AND SHALL BE RETURNED UPON DEMAND.		Material	Dimensionen
Aenderungen: MODIFICATIONS:		PROJECTION	Allgemein Toleranzen GENERAL TOLERANCES
PART NO.: CP2-4841-100M1		Gezeichnet DRAWN	16.06.2009 F.P.
<b>M6 Pump with controller and stepper motor</b>		Gepflicht / Freigabe CHECKED / RELEASE	16.06.2009 FCo
General dimensions		CAD Nr. CAD NO.	506351.idw
Unterverz.: SUB DIREC.:		KUNDE	
VICI® VICI AG International, CH-6214 Schenkon		Zeichnungs Nr. / DRAWING NO. <b>2 - GE - 5063.51</b>	