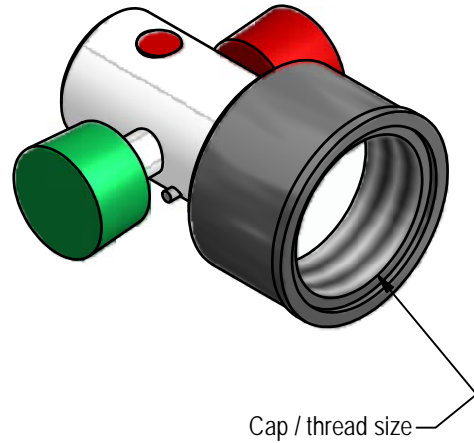
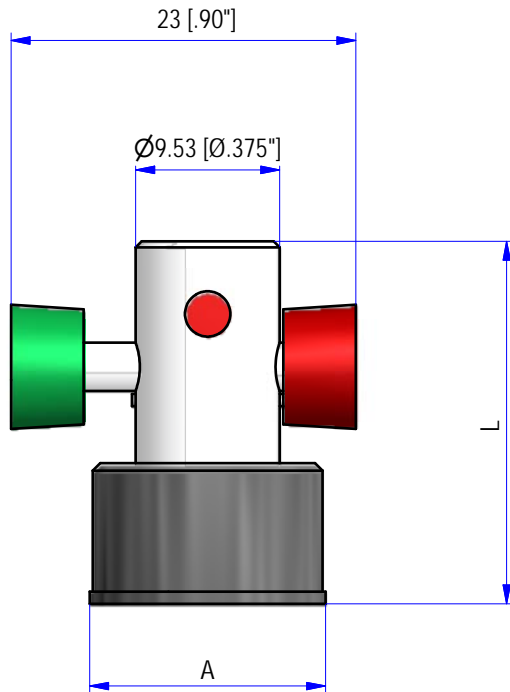


Dimension in mm [Inch]



Prod No	Cap / thread size	A		L	
		mm	Inch	mm	Inch
PS-614158	13 mm - 425	Ø 15.5	Ø .61"	~24	~.945"
PS-614160	15 mm - 425	Ø 17.8	Ø .70"	~24	~.945"
PS-614161	18 mm - 400	Ø 21.0	Ø .827"	~25.4	~1.0"
PS-614170	20 mm - 400	Ø 22.7	Ø .894"	~25	~.98"
PS-614163	24 mm - 400	Ø 27.5	Ø 1.083"	~26	~1.02"

THIS DOCUMENT AND THE INFORMATION WHICH IT CONTAINS SHALL NOT BE USED, EXPLOITED OR SOLD, AND SHALL NOT BE REVEALED OR DISCLOSED TO OTHERS WITHOUT THE EXPRESS WRITTEN PERMISSION OF VICI. THIS DOCUMENT SHALL REMAIN THE PROPERTY OF VICI AND SHALL BE RETURNED UPON DEMAND.

Material
MATERIAL

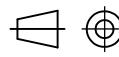
Dimensionen
DIMENSIONS

Aenderungen:
MODIFICATIONS:

Projektion
PROJECTION

Allgemein Toleranzen
GENERAL TOLERANCES

PART NO.:
PS-6141*



SN EN 22768-1/ ISO 2768

Valves for vials Mininert valves

General dimensions

Masstab
SCALE

Gezeichnet
DRAWN

22.11.2010

F.P.

2:1

Geprüft / Freigabe
CHECKED/ RELEASE

09.12.2010

FCo

CAD Nr.
CAD NO.

820000.idw

Unterverz.:
SUB DIREC.:

Mininert Valves

Zeichnungs Nr. / DRAWING NO.

VICI[®]

VICI AG International, CH-6214 Schenkon

4 - GE - 8200.00