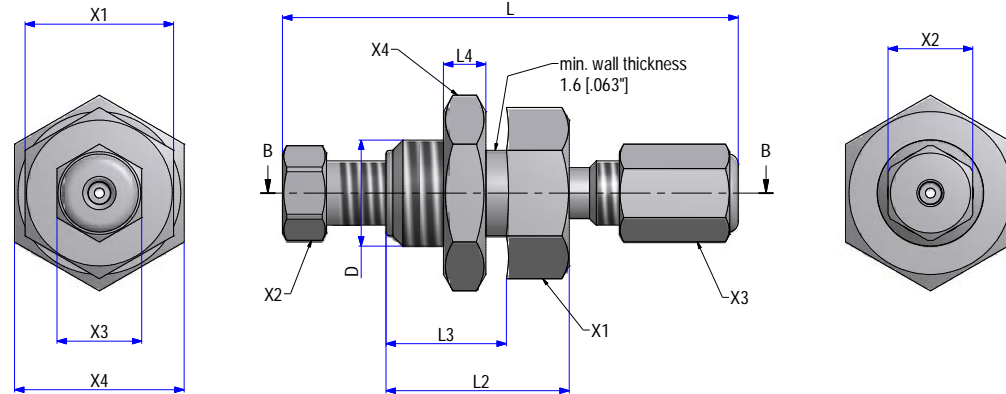
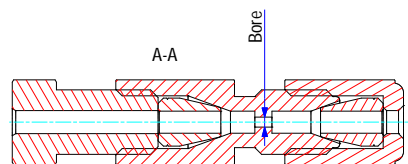
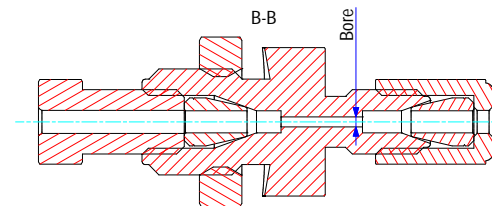


SHOWN EZU1



SHOWN EZBU1



Part#	Description	Bore		L		L2		L3		L4		D		X1	X2	X3	X4
		mm	Inch	mm	Inch	mm	Inch	mm	Inch	mm	Inch	mm	Inch				
EZU.5	External / internal union 1/32" to 1/32"	∅0.25	∅0.010"	-20.0	-.79"									∅1/4"	3/16" Hex		
EZU.5L	External / internal union 1/32" to 1/32"	∅0.50	∅0.020"	-20.0	-.79"									∅1/4"	3/16" Hex		
EZU1	External / internal union 1/16" to 1/16"	∅0.75	∅0.030"	-29.2	-1.15"									1/4" Hex	1/4" Hex		
EZU1C	External / internal union 1/16" to 1/16"	∅0.25	∅0.010"	-28.7	-1.13"									1/4" Hex	1/4" Hex		
EZU1M	External / internal union 1/16" to 1/16"	∅0.50	∅0.020"	-29.2	-1.15"									1/4" Hex	1/4" Hex		
EZU1T	External / internal union 1/16" to 1/16"	∅1.65	∅0.065"	-28.0	-1.10"									1/4" Hex	1/4" Hex		
EZU2	External / internal union 1/8" to 1/8"	∅1.0	∅0.040"	-39.3	-1.55"									7/16" Hex	3/8" Hex		
EZU2L	External / internal union 1/8" to 1/8"	∅2.0	∅0.080"	-39.3	-1.55"									7/16" Hex	3/8" Hex		
EZU2T	External / internal union 1/8" to 1/8"	∅3.25	∅.128"	-37.3	-1.47"									7/16" Hex	3/8" Hex		
EZBU1	Bulkhead external / internal union 1/16" to 1/16"	∅0.75	∅0.030"	-34.0	-1.34"	13.72	.540"	9.02	.355"	3.18	.125"	∅8	∅.3125"	7/16" Hex	1/4" Hex	1/4" Hex	1/2" Hex
EZBU1C	Bulkhead external / internal union 1/16" to 1/16"	∅0.25	∅0.010"	-29.2	-1.15"	10.80	.425"	6.22	.245"	3.18	.125"	∅8	∅.3125"	7/16" Hex	1/4" Hex	1/4" Hex	1/2" Hex
EZBU1M	Bulkhead external / internal union 1/16" to 1/16"	∅0.50	∅0.020"	-34.0	-1.34"	13.72	.540"	9.02	.355"	3.18	.125"	∅8	∅.3125"	7/16" Hex	1/4" Hex	1/4" Hex	1/2" Hex
EZBU1T	Bulkhead external / internal union 1/16" to 1/16"	∅1.65	∅0.065"	-34.0	-1.34"	13.72	.540"	9.02	.355"	3.18	.125"	∅8	∅.3125"	7/16" Hex	1/4" Hex	1/4" Hex	1/2" Hex
EZBU2	Bulkhead external / internal union 1/8" to 1/8"	∅1.0	∅0.040"	-43.2	-1.70"	17.96	.707"	12.37	.487"	4.75	.187"	∅11.1	∅.4375"	9/16" Hex	3/8" Hex	7/16" Hex	5/8" Hex
EZBU2L	Bulkhead external / internal union 1/8" to 1/8"	∅2.0	∅0.080"	-43.2	-1.70"	17.96	.707"	12.37	.487"	4.75	.187"	∅11.1	∅.4375"	9/16" Hex	3/8" Hex	7/16" Hex	5/8" Hex
EZBU2T	Bulkhead external / internal union 1/8" to 1/8"	∅3.25	∅.128"	-43.2	-1.70"	17.96	.707"	12.37	.487"	4.75	.187"	∅11.1	∅.4375"	9/16" Hex	3/8" Hex	7/16" Hex	5/8" Hex

THIS DOCUMENT AND THE INFORMATION WHICH IT CONTAINS SHALL NOT BE USED, EXPLOITED OR SOLD, AND SHALL NOT BE REPRODUCED OR DISCLOSED TO OTHERS WITHOUT THE EXPRESS WRITTEN PERMISSION OF VICI. THIS DOCUMENT SHALL REMAIN THE PROPERTY OF VICI AND SHALL BE RETURNED UPON DEMAND.

Änderungen / MODIFICATIONS: a) 19.01.09 PP #568, added information

Material / MATERIAL:	Dimensional tolerances / DIMENSIONAL TOLERANCES:
Revision / PRODUCTION:	Alignment Tolerances / GENERAL TOLERANCES:

Part No.:

External / internal unions including bulkhead versions

General dimensions

Material / SCALE: 5:1

Customer Order / Bestellnummer: 08.03.2006 F.P.

Issue Date / Ausgabedatum: 19.01.2009 F.Co

CAD No. / CAD-Nr.: 506074.idw

Customer / KUNDE: KUNDE

Drawing No. / ZEICHNUNG NR.: 1 - GE - 5060.74 a

VICI VICI AG International, CH-6214 Schenkon