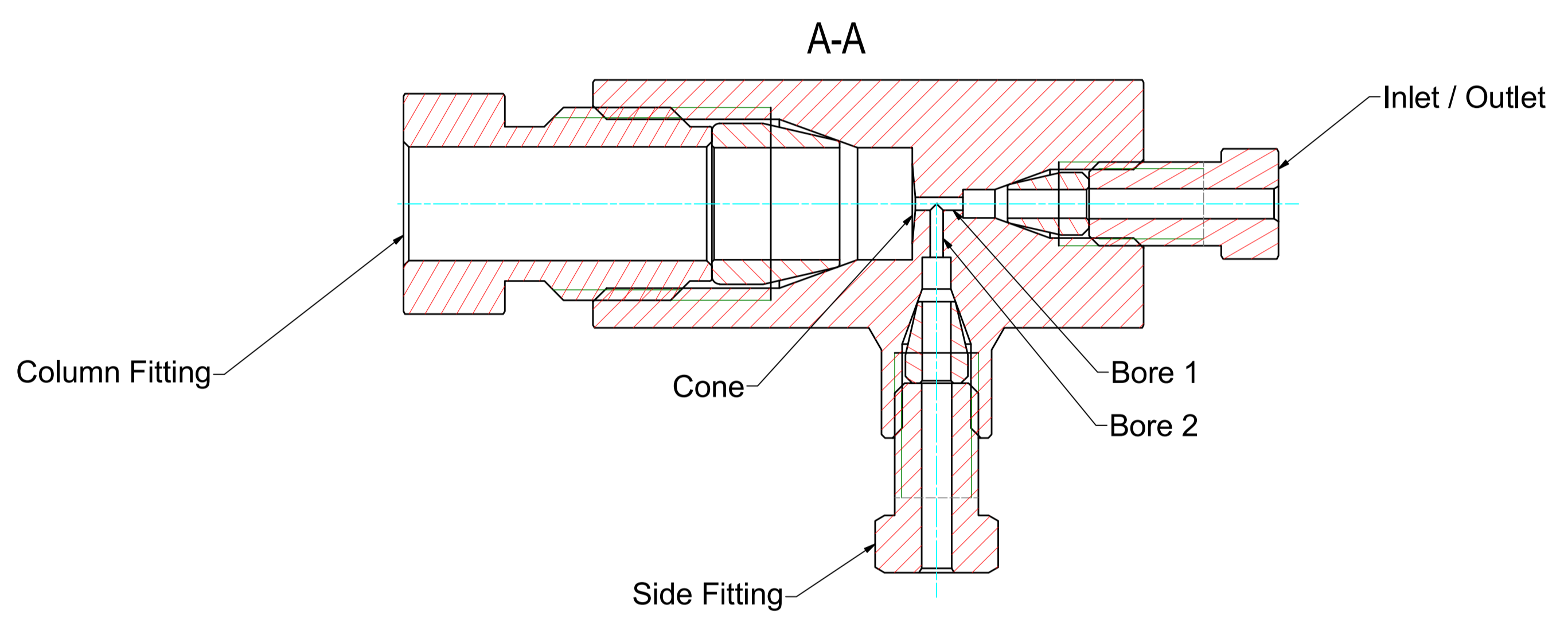


SHOWN TCEF411



Part#	Description	Bore1 mm [Inch]	Bore2 mm [Inch]	Cone mm [Inch]	L mm [Inch]	L1 mm [Inch]	L2 mm [Inch]	X1	X2	X3
TCEF211	Tee column end fitting 1/8" x 1/16" x 1/16"	Ø0.51 [Ø.020"]	Ø0.51 [Ø.020"]	Ø2.1 [Ø.0827"]	~45.0 [~1.77"]	27.94 [1.10"]	~25.0 [~.98"]	3/8" Hex	7/16" Hex	1/4" Hex
TCEF211T	Tee column end fitting 1/8" x 1/16" x 1/16"	Ø1.65 [Ø.065"]	Ø0.41 [Ø.016"]	Ø2.1 [Ø.0827"]	~45.0 [~1.77"]	27.94 [1.10"]	~25.0 [~.98"]	3/8" Hex	7/16" Hex	1/4" Hex
TCEF411C	Tee column end fitting 1/4" x 1/16" x 1/16"	Ø0.25 [Ø.010"]	Ø0.25 [Ø.010"]	Ø4.6 [Ø.1811"]	~49.5 [~1.95"]	30.94 [1.218"]	~28.5 [~1.12"]	1/2" Hex	9/16" Hex	1/4" Hex
TCEF411	Tee column end fitting 1/4" x 1/16" x 1/16"	Ø0.74 [Ø.029"]	Ø0.74 [Ø.029"]	Ø4.6 [Ø.1811"]	~50.5 [~1.99"]	31.75 [1.250"]	~28.5 [~1.12"]	1/2" Hex	9/16" Hex	1/4" Hex
TCEF411T	Tee column end fitting 1/4" x 1/16" x 1/16"	Ø1.65 [Ø.065"]	Ø0.74 [Ø.029"]	Ø4.6 [Ø.1811"]	~50.5 [~1.99"]	31.75 [1.250"]	~28.5 [~1.12"]	1/2" Hex	9/16" Hex	1/4" Hex
TCEF421	Tee column end fitting 1/4" x 1/8" x 1/16"	Ø0.74 [Ø.029"]	Ø0.74 [Ø.029"]	Ø4.6 [Ø.1811"]	~55.5 [~2.18"]	35.18 [1.385"]	~28.5 [~1.12"]	1/2" Hex	9/16" Hex	3/8" Hex
TCEF611	Tee column end fitting 3/8" x 1/16" x 1/16"	Ø0.74 [Ø.029"]	Ø0.74 [Ø.029"]	Ø6.0 [Ø.2362"]	~53.5 [~2.11"]	33.91 [1.335"]	~33.0 [~1.30"]	11/16" Hex	3/4" Hex	1/4" Hex
TCEF611T	Tee column end fitting 3/8" x 1/16" x 1/16"	Ø1.65 [Ø.065"]	Ø0.74 [Ø.029"]	Ø6.0 [Ø.2362"]	~53.5 [~2.11"]	33.91 [1.335"]	~33.0 [~1.30"]	11/16" Hex	3/4" Hex	1/4" Hex
TCEF811	Tee column end fitting 1/2" x 1/16" x 1/16"	Ø0.74 [Ø.029"]	Ø0.74 [Ø.029"]	Ø9.0 [Ø.3543"]	~57.0 [~2.24"]	36.32 [1.430"]	~36.5 [~1.43"]	13/16" Hex	7/8" Hex	1/4" Hex
TCEF811T	Tee column end fitting 1/2" x 1/16" x 1/16"	Ø1.65 [Ø.065"]	Ø0.74 [Ø.029"]	Ø9.0 [Ø.3543"]	~57.0 [~2.24"]	36.32 [1.430"]	~36.5 [~1.43"]	13/16" Hex	7/8" Hex	1/4" Hex

THIS DOCUMENT AND THE INFORMATION WHICH IT CONTAINS SHALL NOT BE USED, EXPLOITED OR SOLD, AND SHALL NOT BE REVEALED OR DISCLOSED TO OTHERS WITHOUT THE EXPRESS WRITTEN PERMISSION OF VICI. THIS DOCUMENT SHALL REMAIN THE PROPERTY OF VICI AND SHALL BE RETURNED UPON DEMAND.

Material:
 Dimension:
 SCALE:
 Projection:
 General Tolerances:
 Part No:
 TCEF*
 Modifications:
 Date: 25.04.2012
 F.P.
 Date: 27.04.2012
 F.Co
 CAD No: 506391.idw
 User:
 Sub Direct: KUNDE
 Zeichnungs Nr. / DRAWING NO.
 1 - GE - 5063.91
 VICI® VICI AG International, CH-6214 Schenkon