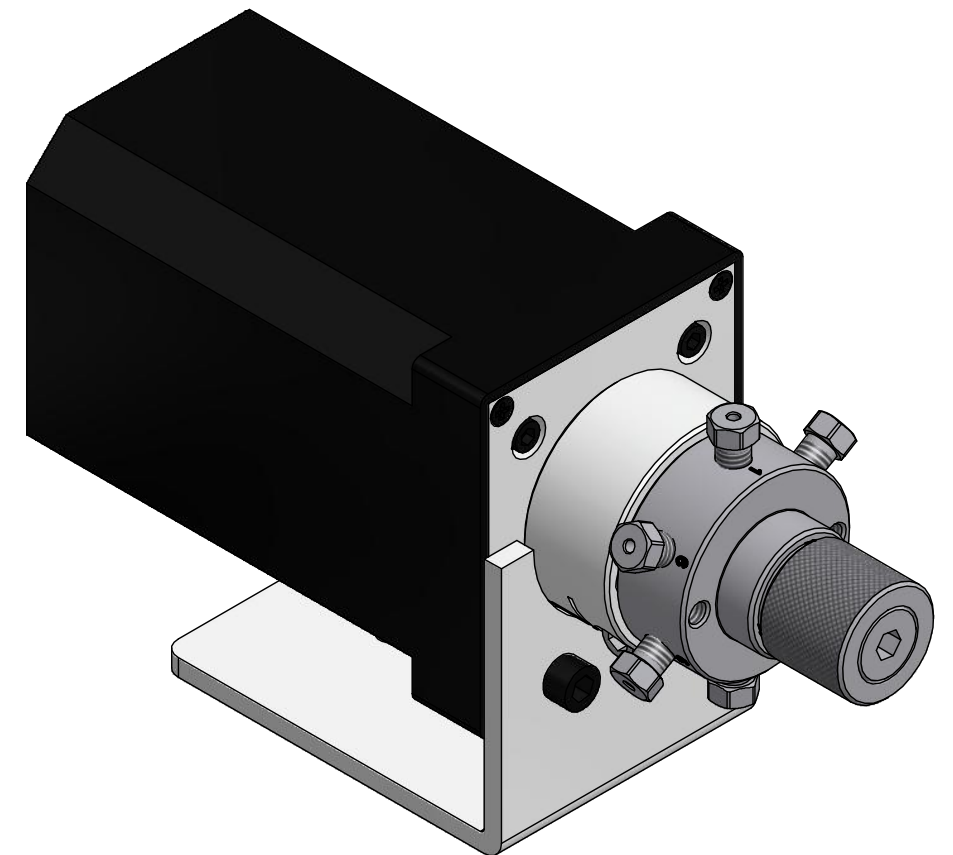


Dimension in mm [Inch]



Type	Connections	X		~Y		THIS DOCUMENT AND THE INFORMATION WHICH IT CONTAINS SHALL NOT BE USED, EXPLOITED OR SOLD, AND SHALL NOT BE REVEALED OR DISCLOSED TO OTHERS WITHOUT THE EXPRESS WRITTEN PERMISSION OF VICI. THIS DOCUMENT SHALL REMAIN THE PROPERTY OF VICI AND SHALL BE RETURNED UPON DEMAND.	Material MATERIAL	Dimensionen DIMENSIONS	
		mm	Inch	mm	Inch				
W	1/32"	$\varnothing 25.4$	$\varnothing 1$ "	32	1.25"	Aenderungen: a) 22.08.05 FP #461, Redrawn in Inventor MODIFICATIONS: PART NO.:	Projektion PROJECTION 	Allgemein Toleranzen GENERAL TOLERANCES SN EN 22768-1/ ISO 2768	
(Shown) W	1/16"	$\varnothing 31.75$	$\varnothing 1.25$ "	44	1.73"				
UW	1/16"	$\varnothing 38.1$	$\varnothing 1.5$ "	49	1.93"	Micro electric actuator 2- pos. with close-mount hardware. General dimensions	Masstab SCALE: 1:1 Gezeichnet DRAWN: 03.11.1997 Geprüft / Freigabe CHECKED/ RELEASE: 23.08.2005 CAD Nr. CAD NO.: 506008.idw	F.P. FCo	
UW	1/8"	$\varnothing 44.45$	$\varnothing 1.75$ "	57.4	2.26"		Unterverz.: KUNDE SUB DIREC.: Zeichnungs Nr. / DRAWING NO.:	3 - GE - 5060.08 a	
VICI AG International, CH-6214 Schenkon									