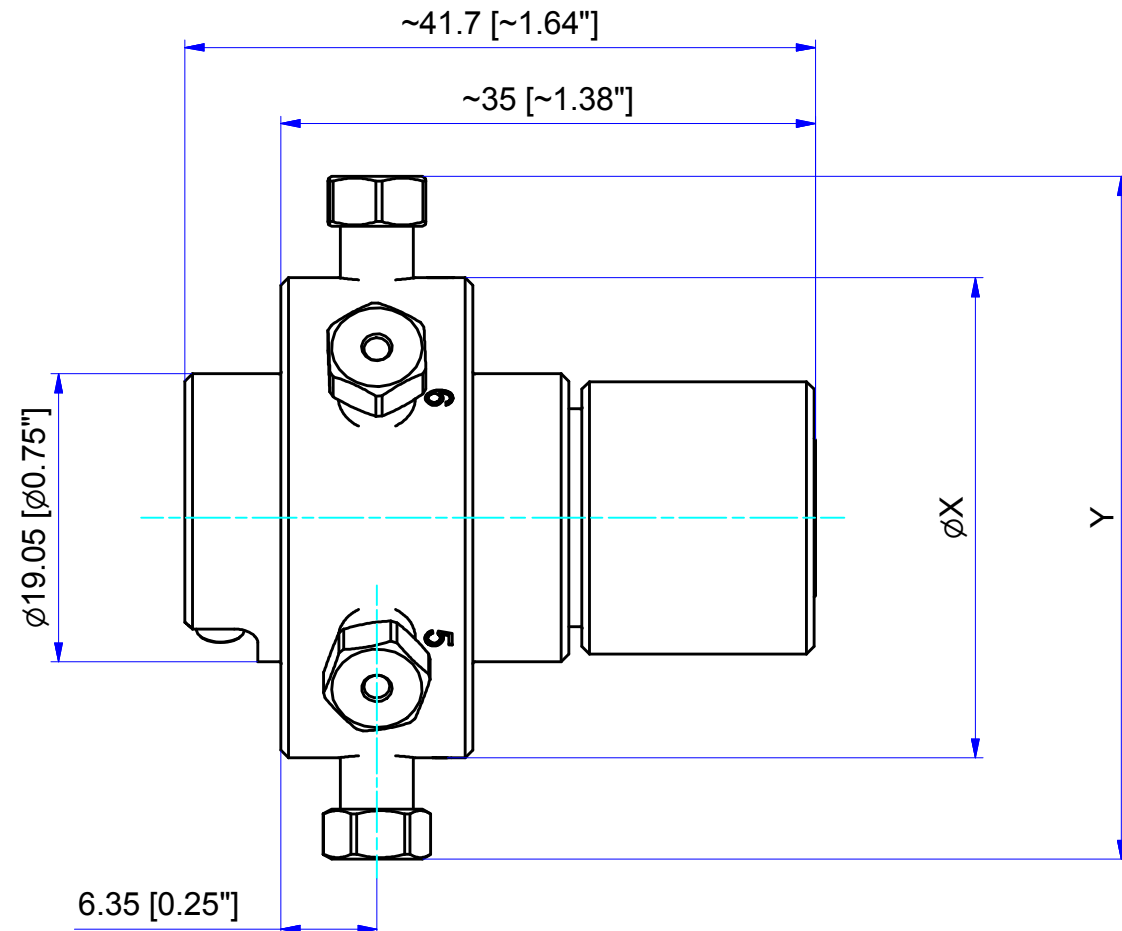
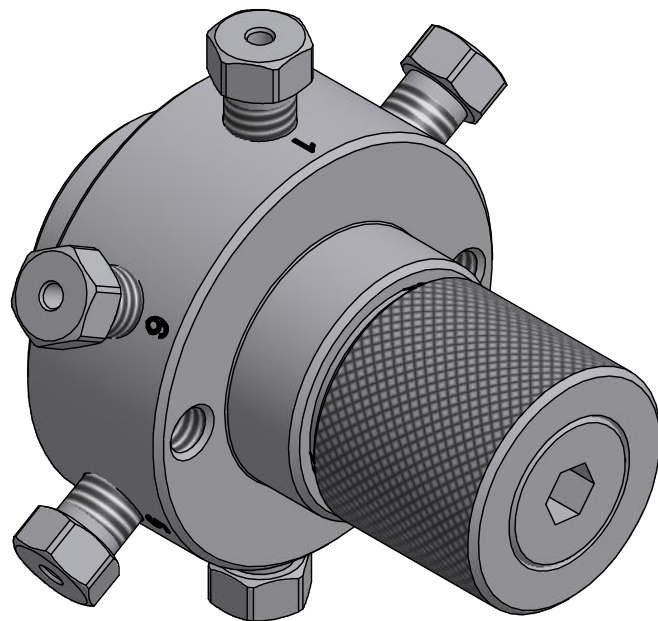


Thread: 8-32 UNC
(2x)

25.4 [1"]

Dimension in mm [Inch]



$\phi 19.05$ [$\phi 0.75$ "]

6.35 [0.25"]

~41.7 [~1.64"]

~35 [~1.38"]

ϕX

Y

| Type | Connections | X | | ~Y | |
|-----------|-------------|--------------|---------------|------|-------|
| | | mm | Inch | mm | Inch |
| W | 1/32" | $\phi 25.4$ | $\phi 1$ " | 32 | 1.25" |
| (Shown) W | 1/16" | $\phi 31.75$ | $\phi 1.25$ " | 44 | 1.73" |
| UW | 1/16" | $\phi 38.1$ | $\phi 1.5$ " | 49 | 1.93" |
| UW | 1/8" | $\phi 44.45$ | $\phi 1.75$ " | 57.4 | 2.26" |

THIS DOCUMENT AND THE INFORMATION WHICH IT CONTAINS SHALL NOT BE USED, EXPLOITED OR SOLD, AND SHALL NOT BE REVEALED OR DISCLOSED TO OTHERS WITHOUT THE EXPRESS WRITTEN PERMISSION OF VICI. THIS DOCUMENT SHALL REMAIN THE PROPERTY OF VICI AND SHALL BE RETURNED UPON DEMAND.

Material MATERIAL
Dimensionen DIMENSIONS
Allgemein Toleranzen GENERAL TOLERANCES
SN EN 22768-1/ ISO 2768

Aenderungen: MODIFICATIONS:
PART NO.:

Projektion PROJECTION
Gezeichnet DRAWN
Geprüft / Freigabe CHECKED/ RELEASE
CAD Nr. CAD NO.

Replacement valve W & UW- Type

General dimensions

Masstab SCALE: 2:1
Gezeichnet DRAWN: 26.08.2005 F.P.
Geprüft / Freigabe CHECKED/ RELEASE: 26.08.2005 FCo
CAD Nr. CAD NO.: 506052.idw

Unterverz.: SUB DIREC.: KUNDE

VICI[®] VICI AG International, CH-6214 Schenkon

Zeichnungs Nr. / DRAWING NO.: **3 - GE - 5060.52**